



User Manual	EN (2-11)
Betjeningsvejledning	DA (12-21)
Bedienungsanleitung	DE (22-32)
Mode d'emploi	FR (33-43)
Mounting instructions	44-45



Aduro Bio Stoves

Aduro B1 & Aduro B2

EN 16647:2015

aduro.dk / adurofire.com

Congratulations on your new Aduro Bio stove!

To get the best possible experience and benefit from your new Aduro Bio stove, it is important that you read the user manual thoroughly before you install the stove and start using it. Errors or incorrect settings can cause hazardous conditions and/or poor operation. Please keep the user manual in a safe place for future reference.

For further information, please go to www.adurofire.com.

Production number

The bio stove has a production number on the rating plate under the stove. For the purposes of the guarantee and for other enquiries, it is important that you can quote this number.

1. General

1.1 Compliance

All Aduro Bio stoves comply with the European Standard EN16647:2015 and is thereby approved for installation and use in Europe. At the same time, the manufacturing process is subject to external quality control.

1.2 Warnings and safety precautions

Remember that safety is first priority, and therefore the stove must be used with care and respect. Do not use the stove before the following warnings have been read:

- Examine local legislation before using the stove.
- Never change the construction of the bioethanol burner.
- Always place the bio stove in a well-ventilated, draft-free room. The room should have a minimum of 80 m³.
- Bioethanol is a hazardous material with hazard level UN1987, level 3.
- Bioethanol is extremely flammable and must be handled with care.
- Never place anything on top of the stove.
- Never move the stove while in use.
- Never leave the stove unattended and keep children and pets at a safe distance.
- Outer surfaces and materials near the burner become hot when the stove is in use.
- Only use bioethanol intended for bio stoves. We recommend using bioethanol with 93-96.5 %.
- Bioethanol should be stored in a safe location, away from fire and out of reach of children and pets.
- Any stove featuring naked flames or using flammable liquids has a potential risk of burns or injury.
- Never overfill the burner with bioethanol. The bioethanol must be completely absorbed in the ceramic material in the burner and must never exceed the arrows which indicate the maximum fuel level. Lighting an overfilled burner is unsafe.
- Remove the burner from the bio stove when filling with bioethanol. If the bioethanol burner is overfilled or bioethanol is spilt, the excess bioethanol should be removed before ignition. Spilt bioethanol can be removed with an absorbent cloth before ignition.
- Avoid physical contact with the bioethanol.



Never pour fuel into a hot or burning stove.



Do not position the stove near combustible materials.



Only use in draft-free surroundings.



No smoking



Keep pets and children at a safe distance.



Never move the stove while in operation.



Never (re)ignite a hot stove.



Never overfill the stove.



A fire blanket is recommended.



A fire extinguisher is recommended.



Only use fuel according to the user manual.



For decorative and domestic use only.



Only use in a ventilated room.

Aduro A/S declines all responsibility for any direct or indirect damages to persons, animals, or objects due to non-compliance with the provisions in this user guide, especially warnings regarding installation, use, and maintenance of the stove.

The responsibility for improper use of the product is entirely borne by the user and relieves the manufacturer from any civil and criminal liability. Tampering with or unauthorized replacement of non-original spare parts could be hazardous for the operator's safety and relieves the company from any civil and criminal liability.

1.3 Technical data

Aduro Bio stoves	
Capacity, burner	1.2 L (we recommend 1 L)
Weight, stove	26 kg
Burn time	3-4 hours
Heat efficiency	1.8 – 3 kW/h
Burner function	Manual

Material, stove	Black powder-coated steel 4 mm ceramic glass (Aduro B1)
Material, burner	Brushed stainless steel
Fuel	Bioethanol (UN:1170, 93-96.5 %)
Outer dimensions (ØxHxD)*	48 x 47.65 x 35.05 cm

*See illustrations on adurofire.com

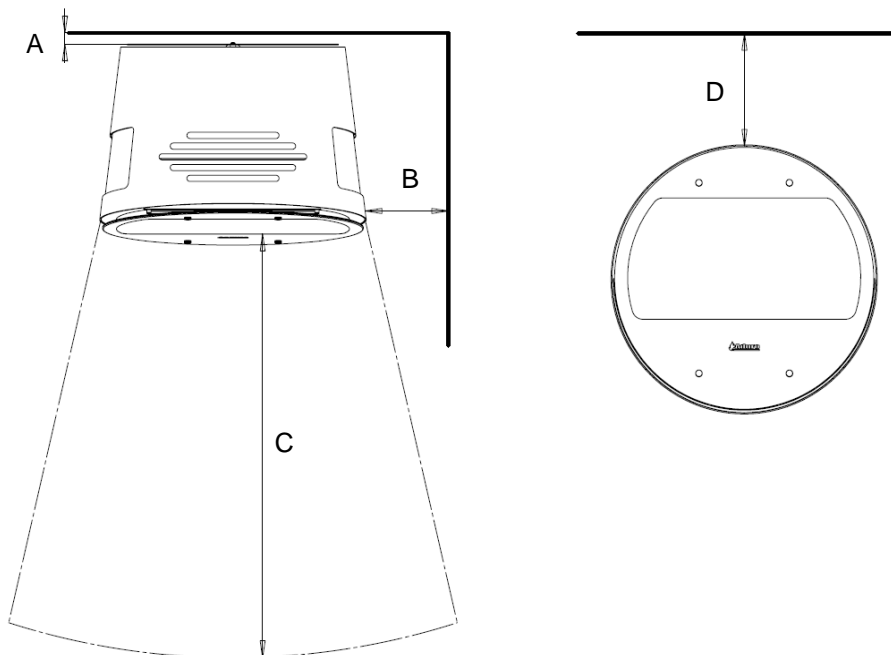
2. Installation of the stove

You can install the stove yourself. Aduro Bio stoves are easy to mount, and no chimney is required. You can use the stove both indoors and outdoors. However, be aware that the stove is not rust protected and must therefore be moved inside when the stove is cold. If stored outdoors, corrosion on the stove will occur.

2.1 Position of the stove and distance requirements

If the stove is placed near combustible material, specific distance requirements apply. See table and illustrations below:

Distance to combustible material	Mounted on foot/legs	Mounted on wall bracket
Behind the stove (A)	2 cm	-
To the sides (B)	15 cm	15 cm
In front of the stove (C)	75 cm	75 cm
Above the stove (D)	20 cm	20 cm



If the stove is being wall-mounted, it can only be mounted on a non-flammable wall. If the stove is placed on the metal foot, it should be placed on a non-flammable material. If the stove is positioned against a brick wall or other non-flammable material, there are no minimum distance requirements.

The stove must be installed on a floor/wall/material with an adequate load-bearing capacity. Make sure that the bio stove is installed in level, both horizontally and vertically. Do not place the stove in a room with a constant high humidity level. The room must be well-ventilated and should have a minimum of 80 m³.

2.2 Mounting options

The Aduro Bio stoves can be mounted on wooden legs, a metal foot, or hung on the wall. See the back of this manual for installation instructions.

2.3 Wall-mounted stove

If the stove is to be mounted on the wall, it must be installed on a non-flammable wall. The wall bracket must be properly mounted to the wall before mounting the stove (find instructions for mounting the bracket at the back of this user manual). You may consult your normal supplier of building materials about suitable attachment materials for the stove/wall before the mounting. **ONLY USE FIXING MATERIALS WHICH CANNOT MELT.**



The lower edge of the stove must be minimum 15 cm above the floor.

3. Firing in the bio stove

Important safety information

- Never ignite the stove if it is filled past the "MAX" fuel sign.
- The stove gets hot during use and therefore it should be treated with all necessary caution.
- Do not keep bioethanol and other easily combustible fluids near the stove.
- The room must be well-ventilated, draft-free, and should have a minimum volume of 80 m³.
- Do not place anything on top of the stove while it is in use.
- Do not cover up ventilation grids in the front and in the back of the stove.
- Do not place ceramic decoration logs, stones, or other things inside the stove.
- Never leave the stove unattended when in use.
- Keep children and pets at a safe distance.
- Use of several stoves is only allowed if the power output is equal to or lower than 4.5 kW/h. Additional ventilation of the room is then required.
- The stove is not suitable for continuous operation.

3.1 Filling

Before filling the stove, the burner must be cooled down. The burner must not be removed from the stove until the temperature is below 40 degrees, meaning that the temperature indicator is in the blue area. When

the stove is too hot, the temperature indicator will be in the red area and the spring blocks the attachment of the Aduro funnel:

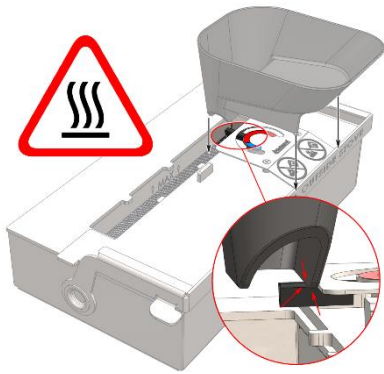


Illustration 1 – Placing the Aduro funnel

Follow this procedure when filling:

1. Make sure that the stove is turned off and that the temperature indicator is in the blue area.
2. Remove the burner from the stove to fill it with bioethanol wherever you store it (safe location). Depending on the type of stove you have, follow the steps below to remove the burner:

Applies to Aduro B1:

- Slide the front glass to the side. The integrated handle will now tilt upwards by 10 degrees:

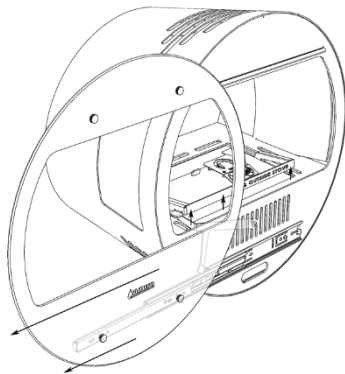


Illustration 2 – Slide the front glass to the side

- Raise the handle fully, lift the burner and remove it from the stove with one hand as shown below. When the handle is fully raised, the latch for the burner will automatically cover the burner opening.

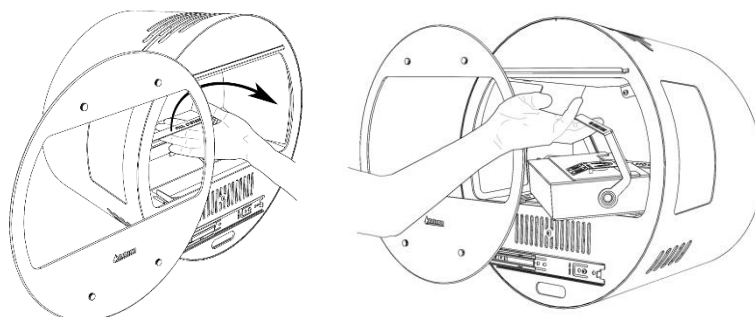


Illustration 3 – Raise the handle and remove the burner

Applies to Aduro B2:

- Raise the handle fully, lift the burner and remove it from the stove with one hand as shown below. When the handle is fully raised, the latch for the burner will automatically cover the burner opening.

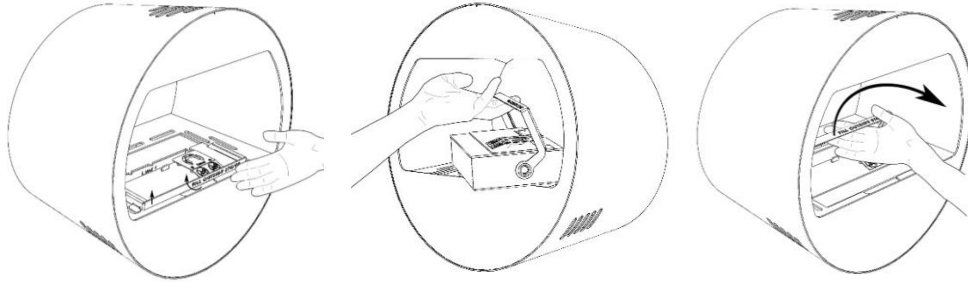


Illustration 4 – Raise the handle and remove the burner

3. Fold the burner handle back down and use the Aduro handle to pull the slider back to open the burner:

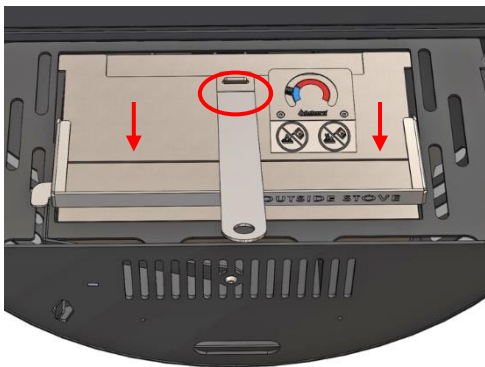


Illustration 5 – Use the Aduro handle to open the burner

4. Place the Aduro funnel as shown in illustration 1 above and fill with bioethanol in accordance with these safety instructions:
 - Use good quality bioethanol. See section 3.4.
 - The stove has a fuel capacity of 1,20 litres. However, we recommend that you fill the burner with 1 litre of bioethanol. If you buy bottles larger than 1 litre, we recommend that you use a 1 litre jug to fill the stove as they are easier to handle.
 - Pour bioethanol in both sides of the burner opening.
 - Pour slowly to avoid overfilling and spilling. If you do spill, clean up immediately and don't light the stove until the area is dry. See section 3.1.1.
 - Do not exceeded the MAX fuel level with bioethanol.
5. Remove the Aduro funnel.
6. To return the burner to the stove, place your hand under the burner handle and lift it fully upwards. The burner is filled with ceramic fibres that absorb the bioethanol like a sponge, preventing it from spilling on the floor when you carry the burner.
7. Place the burner in the stove and use the Aduro handle to pull the slider back and open the burner. See illustration 5 above.
8. You can now light the stove. See section 3.3.



Never overfill the burner. The fuel must be completely absorbed by the ceramic material. It is dangerous to light the stove with too much fuel.

3.1.1 Overfilling the burner

If the burner is accidentally overfilled, do not return it to the stove. Follow one of the instructions below:

Option 1: The burner is overfilled (above the MAX level) but not completely over the edge of the burner:

- Spilled bioethanol can be removed with an absorbent cloth until the fibres in the burner can absorb all the liquid again.
- Wipe off any excess fuel that may have dripped on the outside of the burner and allow any remaining fuel to evaporate.
- Leave the burner to stand for 1 hour.
- You can now return the burner to the stove.

Option 2: The burner is overfilled (above the MAX level) and the bioethanol flows outside the burner:

- Empty the excess fuel into a suitable container.
- Wipe off any excess fuel that may have dripped on the outside of the burner during emptying and allow any remaining fuel to evaporate.
- Leave the burner to stand for 1 hour.
- You can now return the burner to the stove.

3.2. The first time a fire is lit

The first few times the bio stove is used, there may be some unpleasant odours from the stove, which is completely normal. This is due to the hardening of the heat-resistant paint. Make sure that the stove is placed in a well-ventilated room and that there is adequate ventilation during this period.

It is also important to fire cautiously the first 2-3 times to allow the steel to expand slowly.



During the first few ignitions, ONLY 700 ml of bioethanol should be poured into the burner. After that, the stove can be used with the recommended 1,000 ml.

If you overfire the bio stove and burn more than the recommended amount of bioethanol, there is a risk that the paint on the stove will discolour. This cannot be repainted.

Also note that the stove may make 'clicking' noises during heating and cooling, similar to the sound of boiling water being poured into a sink. These noises are caused by the large temperature differences the material is exposed to.

3.3 Lighting the stove

Before lighting the stove, always make sure that no bioethanol fuel has spilled into the outer tray of the burner (look through the hole in the front of the stove or through the holes next to the burner) and remove any spilled fuel. See section 3.1.1.

Ensure that the burner is cold and that the latch for the burning area is fully open. When relighting the stove, make sure that the temperature is below 40 degrees C, i.e. that the temperature indicator is in the blue range.

Use the Aduro handle to open and close the burner opening and to avoid injury. See illustration below for use.



Always use a long lighter to light the stove so that your hands are not directly over the burning area. Ignite the fibres in the burner.

The flame size is not adjustable. The full flame will appear within 10-15 minutes of ignition.



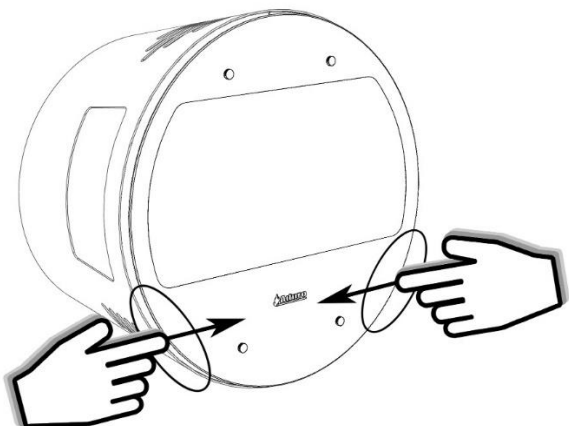
Stay at least 1 metre away from the stove when it is in use.

To switch off the stove, close the latch all the way and make sure the flame goes out. See illustration below. Do not open the latch for 3 minutes after closing it. This will allow time for the flame inside the burner to completely extinguish. Always ensure that the stove is switched off and the latch is closed before leaving the room.



Applies to Aduro B1:

Aduro B1 has a ceramic glass door on the front which gets warm during use. Please open and close the door as shown below:



3.4 Emergency extinguish instructions

In case of fire, place a fire blanket over the burner, and leave it there for at least 30 seconds before removing it again. If you do not have access to a fire blanket, you can use an ordinary towel soaked in water.

3.5 Recommended fuels

Only use bioethanol with the UN:1170 label, which is recommended for bioethanol burners. We recommend the use of 93-96.5% bioethanol fuel. Be aware that there are products on the market that contain oil and petroleum. These CANNOT be used in Aduro bio stoves.

Bioethanol is a hazardous material with UN1987 hazard level 3. It is highly flammable and must be handled with care. Bioethanol should be stored in a safe place, away from fire and out of the reach of children and pets.

4. Cleaning and maintenance

Aduro Bio stoves do not require much cleaning or maintenance. However, there are a few of things that should be checked regularly.



All cleaning and maintenance of the stove should be carried out when the stove is cold.

The burner

Check the burner regularly for signs of deformation or leaks. Ensure that the burner is empty of fuel before cleaning. Do not clean the burner with water or put in a dishwasher.

The burner may discolour over time. This is a natural reaction to the high heat generated. It can be removed by using an approved stainless steel cleaner. Simply rub in the direction of the “grain” of the steel. You can also use the [Aduro Easy Clean cleaning pad](#).

Always ensure that the burner is dry after cleaning before lighting the stove.

The bimetallic spring

Regularly check that the bimetallic spring is working properly and that the arrow/temperature indicator is always in the red area when the stove is so hot that you cannot put your hand in the area of the flame opening (temperature is above 40 degrees C).

The stove's surface

Check the stove regularly for any signs of deformation or leaks.

The surface of the bio stove is powder coated, giving a smooth and even surface. The powder coating protects against wear and impact, extending the life of the bio stove and reducing the need for maintenance. However, it is important to note that the powder coating may change colour over time if the stove is exposed to direct sunlight without protection.

Residue from the combustion of bioethanol may deposit on the surface of the bio stove, but this can be easily removed with a non-scratching scouring pad and dish soap.

Always make sure the bio stove is dry after cleaning before lighting the stove.



Never use chemicals, steel wool, or abrasive cleaners, as these can scratch the surface.

Glass

Use the [Aduro Easy Clean](#) or [Aduro Glass Cleaner](#) to clean the glass.

Spare parts and unauthorized alterations

You may only use original spare parts for your bio stove. All forms of unauthorized alterations to the stove are strictly forbidden, as the stove will no longer comply with the approved specifications. At www.aduroshop.com you can buy original spare parts for your stove.

5. Right of complaint

The right to complain is in accordance with the sales law of the country where the stove was purchased. The dated receipt is sufficient proof.

The right of complaint does not cover:

- Damage resulting from incorrect installation and use of the stove, overheating, and incorrect or lack of maintenance of the stove etc.
- Consumable service parts (front glass, side glass, sliders, funnel, gasket) that are subject to normal wear and tear. These parts can be purchased from our online shop www.aduroshop.com.
- Damage to the stove caused by external influences or damage caused by the stove to other objects.

Read more at www.adurofire.com/warranty

6. Disposing of your Aduro bio stove

When disposing of your stove, metal, burner, and glass must be sorted separately. Dispose of the materials in accordance with the regulations at your nearest recycling centre.

Tillykke med din nye Aduro Biopejs!

For at få mest mulig glæde og nytte af din nye biopejs er det vigtigt, at du læser betjeningsvejledningen grundigt igennem, inden pejsen installeres og tages i brug. Fejl eller forkerte indstillinger kan forårsage farlige forhold og/eller dårlig drift. Opbevar betjeningsvejledningen på et sikkert sted til senere brug.

Har du brug for yderligere informationer, kan du læse meget mere på www.aduro.dk.

Produktionsnummer

På biopejsen er der angivet et produktionsnummer på typeskiltet under pejsen. Af hensyn til garantien og ved øvrige henvendelser er det vigtigt, at du kan oplyse dette nummer.

1. Generelt

1.1 Godkendelser

Alle Aduro Biopejse er testet efter den europæiske norm EN16647:2015 og er dermed godkendt til montering og brug i Europa. Produktionen er samtidig underlagt ekstern kvalitetskontrol.

1.2 Advarsler og sikkerhedsforanstaltninger

Husk, at sikkerhed er første prioritet. Biopejsen skal derfor bruges med omtanke og respekt. Tag ikke pejsen i brug, før du har læst følgende advarsler:

- Undersøg den lokale lovgivning, inden pejsen tages i brug.
- Du må ikke ændre konstruktionen af bioethanol-brænderen.
- Anbring altid pejsen i et velventileret, trækfrit rum. Rummet skal være minimum 80 m³.
- Bioethanol er et farligt materiale med fareniveau UN1987, niveau 3.
- Bioethanol er ekstremt brandfarligt og skal håndteres med forsigtighed.
- Du må ikke sætte noget oven på pejsen.
- Du må ikke flytte pejsen, mens den er i brug, og hold børn og kæledyr på sikker afstand.
- Ydre overflader og materialer i nærheden af brænderen bliver varme, når pejsen er i brug.
- Brug kun bioethanol beregnet til biopejse. Vi anbefaler at bruge bioethanol med 93-96,5 %.
- Bioethanol skal opbevares et sikkert sted væk fra ild og utilgængeligt for børn og kæledyr.
- Enhver brug af pejs med åben ild og flydende, brændbare væsker har en potentiel risiko for forbrændinger eller skader.
- Overfyld aldrig brænderen med bioethanol. Bioethanolen skal absorberes helt i det keramiske materiale i brænderen og må aldrig overstige pilene, som angiver det maksimale brændstofniveau.
- Tag brænderen ud af biopejsen, når du skal påfylde bioethanol. Hvis brænderen er overfyldt eller der er spildt bioethanol, skal overskydende bioethanol fjernes inden optænding. Spildt bioethanol tørres af med en tør klud inden optænding.
- Undgå fysisk kontakt med bioethanolen.



Hæld aldrig brændsel i en varm eller tændt pejs.



Placer aldrig pejsen tæt på brændbare materialer.



Brug kun i trækfrie omgivelser.



Ingen rygning



Hold børn og kæledyr på sikker afstand.



Flyt aldrig pejsen, når den er i brug.



Tænd aldrig en varm pejs.



Overfyld aldrig pejsen.



Et brandtæppe er anbefalet.



En brandslukker er anbefalet.



Brug kun brændsel i henhold til denne betjeningsvejledning.



Kun til dekorativ og privat brug.



Må kun bruges i velventilerede rum.

Aduro A/S afviser ethvert ansvar for skader, direkte eller indirekte, på personer, dyr eller genstande - som følge af manglende overholdelse af bestemmelserne i denne betjeningsvejledning, især advarsler vedrørende installation, brug og vedligeholdelse af pejsen.

Ansvar for ukorrekt brug af biopejsen bæres fuldstændigt af brugeren og fratager producenten ethvert civilretligt og strafferetligt ansvar. Ændring af biopejsen eller uautoriseret udskiftning af reservedele kan være farlig for din sikkerhed og fratager Aduro A/S ethvert civilretligt og strafferetligt ansvar.

1.3 Tekniske data

Aduro Biopejse	
Maks. brændstofkapacitet	1,2 L (vi anbefaler 1 L)
Vægt, pejs	26 kg
Brændetid	3-4 timer
Varmeeffekt	1,8 – 3 kW/h
Brænderens funktion	Manuel
Materiale, pejs	Sort pulverlakeret stål / 4 mm keramisk glas (Aduro B1)
Materiale, brænder	Børstet rustfrit stål
Brændsel	Bioethanol (UN:1170, 93-96,5 %)
Ydre dimensioner (ØxHxD)*	48 x 47,65 x 35,05 cm

*Se måltegninger på aduro.dk

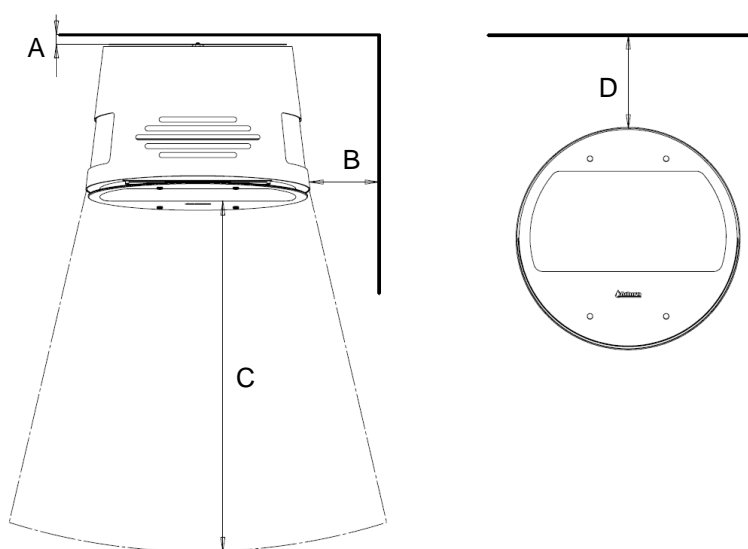
2. Installation af biopejsen

Du må gerne selv installere din biopejs. Aduro Biopejse er nemme at montere, og der kræves ingen skorsten. Du kan bruge pejsen både indendørs og udendørs. Vær dog opmærksom på, at pejsen ikke er rustbeskyttet og derfor skal flyttes indenfor, når pejsen er kold. Ved udendørs opbevaring vil der opstå korrosion på pejsen.

2.1 Biopejsens placering og afstandskrav

Hvis biopejsen placeres op ad brændbart materiale, stilles der krav til afstand. Se nedenstående skema og illustration:

Afstand til brændbart materiale (cm)	Monteret på fod/ben	Monteret på vægbeslag
Bag pejs (A)	2 cm	-
Ved siden af pejs (B)	15 cm	15 cm
Foran pejs (C)	75 cm	75 cm
Over pejs (D)	20 cm	20 cm



Hvis pejsen vægmonteres, skal den monteres på en ikke-brændbar væg, og placeres den på metalfod, skal den placeres på et ikke-brændbart materiale. Står biopejsen derimod op ad en murstensvæg eller andre ikke-brændbare materialer, er der ingen minimumskrav til afstand.

Biopejsen skal installeres på gulv/væg/materiale med tilstrækkelig bæreevne. Sørg for, at biopejsen står i niveau, både vandret og lodret. Placer ikke pejsen i et rum med konstant høj luftfugtighed. Rummet skal være godt ventileret og skal være minimum 80 m³.

2.2 Monteringsmuligheder

Aduro Biopejse kan monteres på egestræsben, en metalfod eller hænges på væggen. Se vejledning til montering af pejsen bagerst i betjeningsvejledningen.

2.3 Væghængt pejs

Hvis pejsen skal vægmonteres, skal den monteres på en ikke-brændbar væg. Vægbeslaget skal fastgøres forsvarligt til væggen, inden pejsen monteres (se vejledning til montering heraf bagerst i betjeningsvejledningen). Spørg din byggematerialeleverandør til råds om velegnet fastgørelsesmateriale til pejsen/væggen inden montagen. DER MÅ KUN ANVENDES BEFÆSTIGELSESMATERIALE, SOM IKKE KAN SMELTE.



Underkanten af pejsen skal være mindst 15 cm over gulvet.

3. Fyring i biopejsen

Vigtige sikkerhedsoplysninger

- Tænd aldrig op i pejsen, hvis den er fyldt over MAX brændstofftegnet.
- Biopejsen bliver varm under brug, og der skal derfor udvises nødvendig forsigtighed.
- Opbevar ikke bioethanol og andre letantændelige væsker i nærheden af pejsen.
- Rummet skal være godt ventileret, trækfrit og være minimum 80 m³.
- Anbring ikke noget oven på pejsen, mens den er i brug.
- Tildæk ikke ventilationsgitre foran og bag på pejsen.
- Placer ikke keramisk dekorationsbrænde, sten eller andre ting inde i pejsen.
- Efterlad aldrig pejsen uden opsyn, når den er i brug.
- Hold børn og kæledyr på sikker afstand.
- Brug af flere pejse er kun tilladt, hvis effekten er lig med eller lavere end 4,5 kW/h. I tilfælde af flere pejse, kræves ekstra ventilation af rummet.
- Pejsen er ikke egnet til kontinuerlig drift.

3.1 Påfyldning

Inden du påfylder bioethanol, skal brænderen være kølet af. Brænderen må ikke fjernes, før temperaturen er under 40 grader. Dette betyder, at temperaturindikatoren skal være i det blå område. Når brænderen er for varm, vil temperaturindikatoren være i det røde område, og fjederen vil blokere for påsætning af Aduro-tragten:

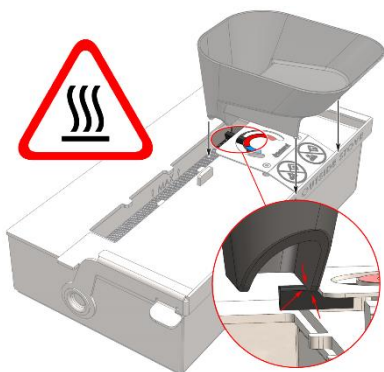


Illustration 1 – Placering af Aduro-tragten

Sådan påfylder du bioethanol:

1. Sørg for at pejsen er slukket, og at temperaturindikatoren er i det blå område.
2. Tag brænderen ud af pejsen for at påfylde bioethanol der, hvor du opbevarer det (et sikkert sted). Afhængigt af, hvilken type pejs du har, skal du følge følgende nedenstående trin for at tage brænderen ud af pejsen:

Gældende for Aduro B1:

- Skub frontglasset til siden. Det integrerede håndtag vil nu vippe 10 grader opad:

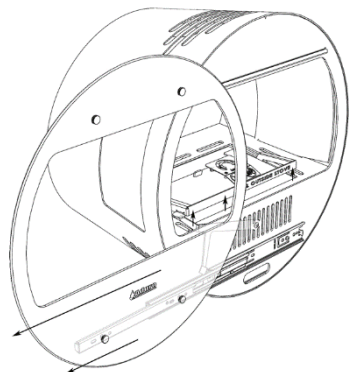


Illustration 2 – Skub frontglasset til siden

- Løft håndtaget helt op, løft brænderen, og tag den ud af pejsen med én hånd som vist nedenfor. Når håndtaget er løftet helt op, vil slideren på brænderen automatisk dække brænderåbningen.

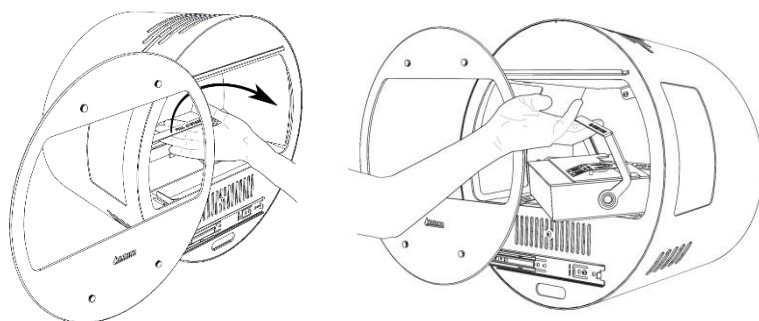


Illustration 3 – Løft håndtaget og fjern brænderen

Gældende for Aduro B2:

- Løft håndtaget helt op, løft brænderen, og tag den ud af pejsen med én hånd som vist nedenfor. Når håndtaget er løftet helt op, vil slideren på brænderen automatisk dække brænderåbningen.

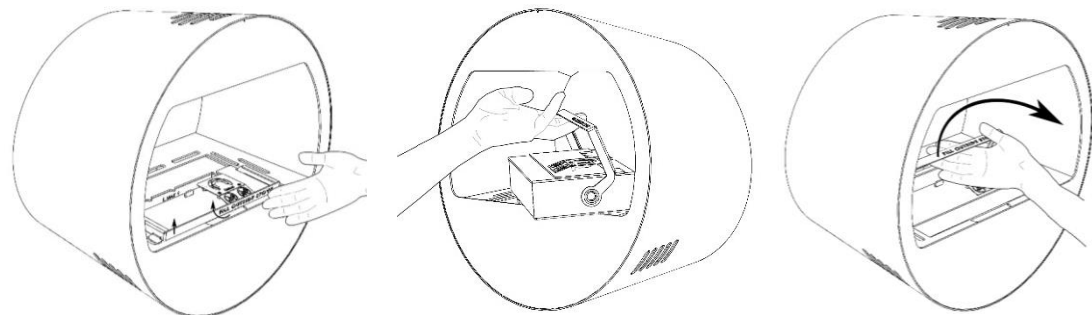


Illustration 4 – Løft håndtaget og fjern brænderen

3. Fold brænderens håndtag ned igen, og brug Aduro-håndtaget til at trække slideren tilbage for at åbne brænderen:

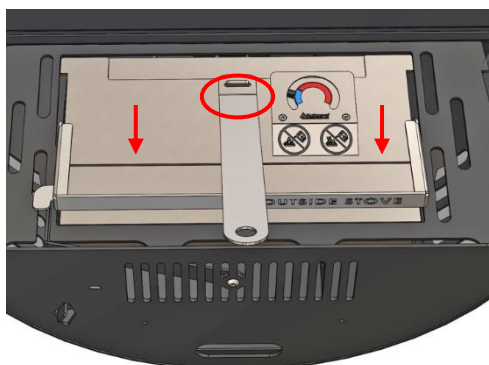


Illustration 5 – Brug Aduro-håndtaget til at åbne brænderen

4. Placer Aduro-tragten som vist i illustration 1 ovenfor, og påfyld bioethanol i henhold til følgende sikkerhedsanvisninger:
 - a. Brug bioethanol af god kvalitet. Se punkt 3.4.
 - b. Pejsen har en kapacitet på 1,20 liter. Vi anbefaler dog at påfylde 1 liter. Hvis du køber dunke med bioethanol, der er større end 1 liter, anbefaler vi, at du bruger en 1 liters kande til at påfylde bioethanolen.
 - c. Hæld langsomt for at undgå overfyldning og spild. Hvis du spilder, rengør det omgående og vent med at tænde, indtil området er helt tørt. Se punkt 3.1.1.
 - d. Fyld på i begge sider af brænderens åbning.
 - e. Overskrid ikke MAX-indikatoren.
5. Fjern Aduro-tragten.
6. Når du skal sætte brænderen tilbage i pejsen, skal du placere hånden under brænderens håndtag og løfte det helt op. Brænderen indeholder keramiske fibre, der effektivt absorberer bioethanolen som en svamp, så du undgår at spilde på gulvet, når du bærer brænderen.
7. Placer brænderen i pejsen, og brug Aduro-håndtaget til at trække slideren tilbage og åbne brænderen. Se illustration 5 ovenfor.
8. Du kan nu tænde pejsen. Se punkt 3.3.

3.1.1 Overfyldning af brænderen

I tilfælde af utilsigtet overfyldning af brænderen må pejsen ikke antændes. Følg venligst en af følgende vejledninger:

Mulighed 1: Brænderen er overfyldt (over MAX-linjen), men ikke helt ud over brænderens kant:

- Spildt bioethanol kan fjernes med en absorberende klud, indtil fibrene i brænderen kan optage al væske igen.
- Tør alt overskydende brændstof af, der kan være dryppet på ydersiden af brænderen, og lad eventuelt resterende brændstof fordampe.
- Lad brænderen stå i 1 time.
- Du kan nu sætte brænderen tilbage i pejsen.

Mulighed 2: Brænderen er overfyldt (over MAX-tegnet), og bioethanolen flyder uden for brænderen:

- Tøm det overskydende brændstof over i en passende beholder.
- Tør alt overskydende brændstof af, der kan være dryppet på ydersiden af brænderen under tømning, og lad eventuelt resterende brændstof fordampe.
- Lad brænderen stå i 1 time.
- Du kan nu sætte brænderen tilbage i pejsen.

3.2 Første optænding

De første gange, biopejsen anvendes, kan der forekomme lugtgener fra biopejsen, hvilket er ganske normalt. Dette skyldes, at den varmfaste maling hærdner. Sørg derfor for, at biopejsen er placeret i et velventileret rum, og at der er tilstrækkelig udluftning i denne periode.

Det er ligeledes vigtigt at fyre forsigtigt de første 2-3 gange, da stålet herved kan udvide sig langsomt.



Under de første optændinger må der KUN hældes 700 ml bioethanol på brænderen. Herefter kan pejsen benyttes med de anbefalede 1.000 ml.

Hvis du overfylder biopejsen og afbrænder mere end den anbefalede mængde bioethanol, er der risiko for, at lakken på biopejsen misfarves. Dette kan ikke efterlakeres.

Vær desuden opmærksom på, at biopejsen under opvarmning og nedkøling kan give "klikkelyde", ligesom når du hældes kogende vand i en vask. Disse lyde skyldes de store temperaturforskelle, som materialet udsættes for.

3.3 Korrekt optænding af biopejsen

Inden brænderen tændes, skal du altid sikre dig, at der ikke er spildt bioethanol i den ydre bakke på brænderen (kig gennem hullet foran på brænderen eller gennem hullerne ved siden af brænderen) og fjern eventuelt spild. Se afsnit 3.1.1.

Sørg for, at brænderen er kold, og at slideren til det brændende område er helt åben. Hvis pejsen tændes igen, efter at den tidligere har været tændt, skal du sørge for, at temperaturen er under 40 grader. Dette betyder, at temperaturindikatoren skal være i det blå område.

Brug Aduro-håndtaget for åbne og lukke brænderen og for at undgå skader. Se billedet nedenfor vedrørende brug.



Brug en lang lighter til at tænde pejsen, så dine hænder ikke er direkte over det brændende område. Antænd fibrene i brænderen.

Det er ikke muligt at justere flammens størrelse. Du vil opnå det fulde flammebillede inden for 10-15 minutter efter optænding.



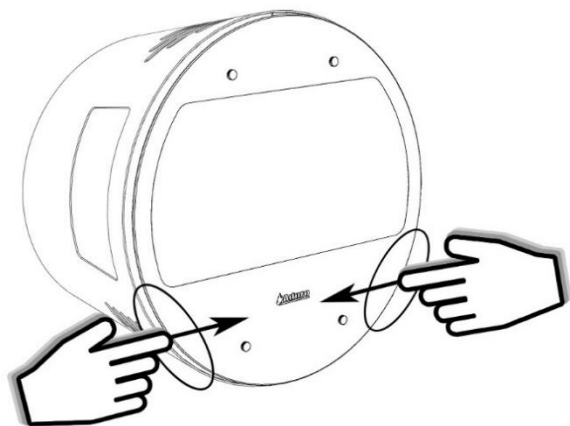
Hold dig altid mindst 1 meter fra biopejsen, når den er i brug.

For at slukke for pejsen skal du lukke pladen helt og sørge for, at flammen går ud. Se billedet nedenfor. Åbn ikke pladen inden for de første 3 minutter efter at have lukket den. Dette vil give tid til at sikre, at flammen inde i brænderen er helt slukket. Sørg altid for, at pejsen er slukket og pladen er lukket, før du forlader rummet.



Gældende for Aduro B1:

Aduro B1 har en låge i keramisk glas, der dækker fronten. Denne glaslåge bliver varm under brug. Åbn og luk lågen som vist nedenfor:



3.4 Nødslukning

I tilfælde af brand, læg et brandtæppe over brænderen, og lad det stå i mindst 30 sekunder, før du fjerner tæppet igen. Har du ikke adgang til et brandtæppe, kan du bruge et almindeligt håndklæde opblødt i vand.

3.5 Anbefalet brændstof

Brug kun bioethanol mærket UN:1170, som er anbefalet til bioethanolbrændere. Vi anbefaler at bruge bioethanol med 93-96,5 %. Vær opmærksom på, at der findes produkter på markedet, der indeholder olie og petroleum. Disse må IKKE bruges i Aduro Biopejse.

Bioethanol er et farligt materiale med fareniveau UN1987, niveau 3. Det er yderst brandfarligt og skal håndteres med varsomhed. Bioethanol skal opbevares på et sikkert sted, væk fra ild og utilgængeligt for børn og kæledyr.

4. Rengøring og vedligeholdelse

Aduro Biopejse kræver ikke meget rengøring og vedligeholdelse. Der er dog ting, du løbende bør tjekke.



Al rengøring og vedligeholdelse af biopejsen skal foretages, når biopejsen er kold.

Brænderen

Tjek jævnligt brænderen for tegn på fejl eller lækage. Sørg for, at brænderen ikke er fyldt med brændstof før rengøring. Brænderen må ikke rengøres med vand, og den må ikke kommes i opvaskemaskinen.

Over tid kan brænderen blive misfarvet. Dette er en naturlig reaktion på den høje varme, den udsættes for. Det kan fjernes ved at bruge et godkendt rengøringsmiddel til rustfrit stål. Gnid cremen i retning af stålets "korn". Du kan også bruge [Aduro Easy Clean-svampen](#).

Sørg altid for, at brænderen er tør efter rengøring, inden pejsen antændes.

Den bimetalliske fjeder

Tjek jævnligt, at den bimetalliske fjeder fungerer, og at pilen/temperaturindikatoren altid er i det røde område, når pejsen er så varm, at du ikke kan holde hånden i området omkring flammeåbningen (temperatur >40 grader C).

Pejsens overflade

Tjek jævnligt biopejsen for tegn på fejl eller lækage.

Biopejsens overflade er pulverlakeret, hvilket giver en jævn og ensartet overflade. Pulverlakeringen beskytter mod slid og stød, hvilket forlænger biopejsens levetid og reducerer behovet for vedligeholdelse. Det er dog vigtigt at bemærke, at pulverlakeringen kan ændre farvenuancer over tid, hvis biopejsen udsættes for direkte sollys uden beskyttelse.

Rester fra afbrændingen af bioethanol kan sætte sig på biopejsens overflade, men disse kan nemt fjernes med en ridsefri skuresvamp og opvaskemiddel.

Sørg altid for, at biopejsen er tør efter rengøring, inden den antændes.



Brug aldrig kemikalier, ståluld eller syreholdige rengøringsmidler, da disse kan ridse overfladen.

Glas

Brug [Aduro Easy Clean](#) eller [Aduro Glasrens](#) til at rengøre glasset.

Reservedele og uautoriseret ændring

Der må kun anvendes originale reservedele til biopejsen. Enhver uautoriseret ændring af pejsen er forbudt, da pejsen derved ikke længere opfylder de godkendte specifikationer. På www.aduroshop.dk kan du købe originale reservedele til din biopejs.

5. Reklamationsret

Reklamationsretten gælder i henhold til købeloven i det land, hvor biopejsen er købt. Købskvittering med dato gælder som bevis.

Reklamationsretten dækker ikke:

- Skader forårsaget af forkert installation og forkert brug af biopejsen, som fx overophedning samt manglende vedligeholdelse af pejsen.
- Løsdele og sliddele (frontglas, sideglas, skinner, tragt, pakning), da de slides ved almindelig brug. Disse dele kan købes i vores webshop www.aduroshop.dk.
- Skader på pejsen opstået ved ydre påvirkninger eller skader forårsaget af pejsen på andre genstande.

Læs mere på www.aduro.dk/garanti/

6. Deponering af din Aduro Biopejs

Når du deponerer din biopejs, skal metal, brænder og glas sorteres for sig. Deponer derefter materialerne efter reglementet på din nærmeste genbrugsplads.

Herzlichen Glückwunsch zum Kauf Ihres neuen Aduro Bioethanol Ofens!

Wir möchten, dass Sie vom ersten Tag an Freude an Ihrem neuen Bioethanol Ofen haben. Daher ist es wichtig, dass Sie diese Bedienungsanleitung sorgfältig lesen, ehe Sie den Ofen nutzen. Somit vermeiden Sie Fehler bei der Benutzung, welche zu Schäden am Ofen und gefährlichen Situationen führen können. Bewahren Sie die Bedienungsanleitung an einem sicheren Ort für zukünftiges Nachschlagen auf.

Für weitere Informationen besuchen Sie bitte www.adurofire.de.

Produktionsnummer

Auf dem Typenschild unter dem Ofen finden Sie die Produktionsnummer. Für Garantiezwecke und andere Anfragen ist es wichtig, dass Sie diese Nummer angeben können.

1. Allgemeines

1.1 Zulassungen

Alle Aduro Bioethanol Öfen entsprechen der europäischen Norm EN16647:2015 und sind damit für die Installation und Verwendung in Europa zugelassen. Die Herstellung wird einer gleichzeitigen externen Qualitätssicherung unterzogen.

1.2 Hinweise und Sicherheitsmaßnahmen

Denken Sie daran, dass Sicherheit oberste Priorität hat, und verwenden Sie den Ofen daher mit Vorsicht und Respekt. Benutzen Sie den Ofen nicht, bevor Sie die folgenden Warnungen gelesen haben:

- Überprüfen Sie die lokalen Vorschriften, bevor Sie den Ofen verwenden.
- Nehmen Sie niemals bauliche Veränderungen am Bioethanol Ofen vor.
- Stellen Sie den Bio-Ofen immer in einem gut belüfteten, zugfreien Raum auf. Das Raumvolumen sollte mindestens 80m³ betragen.
- Bioethanol ist ein gefährlicher Stoff der Gefahrenklasse UN1987, Klasse 3.
- Bioethanol ist hochentzündlich und muss mit Vorsicht gehandhabt werden.
- Stellen oder legen Sie niemals Gegenstände auf den Ofen.
- Bewegen Sie niemals den Ofen, während er in Betrieb ist.
- Lassen Sie den Ofen niemals unbeaufsichtigt und achten Sie darauf, dass Kinder und Haustiere sich in sicherem Abstand aufhalten.
- Äußere Oberflächen und Materialien in der Nähe des Brenners werden heiß, wenn der Ofen in Betrieb ist.
- Verwenden Sie nur für Bio-Öfen geeignetes Bioethanol. Wir empfehlen Bioethanol mit einem Reinheitsgrad von 93-96,5 %.
- Bioethanol sollte sicher, fern von Feuer und außerhalb der Reichweite von Kindern und Haustieren gelagert werden.
- Jeder Ofen mit offenen Flammen oder brennbaren Flüssigkeiten birgt potenzielle Risiken für Verbrennungen oder Verletzungen.

- Überfüllen Sie niemals den Brenner. Das Bioethanol muss vollständig vom Keramikmaterial im Brenner aufgenommen werden und darf niemals die Markierungen überschreiten, die den maximalen Kraftstoffstand anzeigen. Das Anzünden eines überfüllten Brenners ist unsicher.
- Entfernen Sie den Brenner aus dem Bioethanol Ofen, wenn Sie ihn mit Bioethanol befüllen. Wenn der Brenner überfüllt ist oder Bioethanol verschüttet wurde, muss das überschüssige Bioethanol vor dem Zünden entfernt werden. Verschüttetes Bioethanol kann mit einem saugfähigen Tuch entfernt werden, bevor der Ofen angezündet wird.
- Vermeiden Sie physischen Kontakt mit dem Bioethanol.



Gießen Sie niemals Brennstoff in einen heißen oder brennenden Ofen.



Den Ofen nicht in der Nähe von brennbaren Materialien aufstellen.



Nur in zugfreier Umgebung verwenden.



Rauchen verboten.



Halten Sie Haustiere und Kinder in einem sicheren Abstand.



Den Ofen während des Betriebs nicht bewegen.



Niemals einen heißen Ofen (wieder) anzünden.



Den Ofen nie überfüllen.



Eine Löschdecke wird empfohlen.



Ein Feuerlöscher wird empfohlen.



Brennstoff nur gemäß Bedienungsanleitung benutzen.



Nur für dekorative und häusliche Verwendung.



Nur in gut gelüfteten Räumen verwenden.

Aduro A/S lehnt jede Haftung für direkte oder indirekte Schäden an Personen, Tieren oder Gegenständen ab, die auf die Nichtbeachtung der Bestimmungen dieser Bedienungsanleitung zurückzuführen sind. Insbesondere Schäden aufgrund von Nichtbeachtung der Hinweise zu Installation, Nutzung oder Wartung des Ofens, werden nicht von Aduro A/S verantwortet.

Die Haftbarkeit, zivil- wie strafrechtlich, geht bei unsachgemäßem Gebrauch vollständig vom Hersteller an den Nutzer über. Änderungen am Produkt sowie unautorisiertes Tauschen von Ersatzteilen kann eine Gefahr für die Sicherheit bedeuten und entbindet Aduro A/S jeglicher zivil- und strafrechtlicher Verantwortung.

1.3 Technische Daten

Aduro Bioethanol Öfen	
Kapazität, Brenner	1,2 L (wir empfehlen 1 L)
Gewicht, Ofen	26 kg
Brennzeit	3-4 Stunden
Heizleistung	1,8 – 3 kW/h
Brennerfunktion	Manuell
Material, Ofen	Schwarz pulverbeschichteter Stahl / 4 mm keramisches Glas (Aduro B1)
Material, Brenner	Gebürsteter rostfreier Stahl
Brennstoff	Bioethanol (UN:1170, 93-96,5 %)
Maße (ØxHxT)	48 x 47,65 x 35,05 cm

*Maßzeichnungen auf adurofire.de ansehen

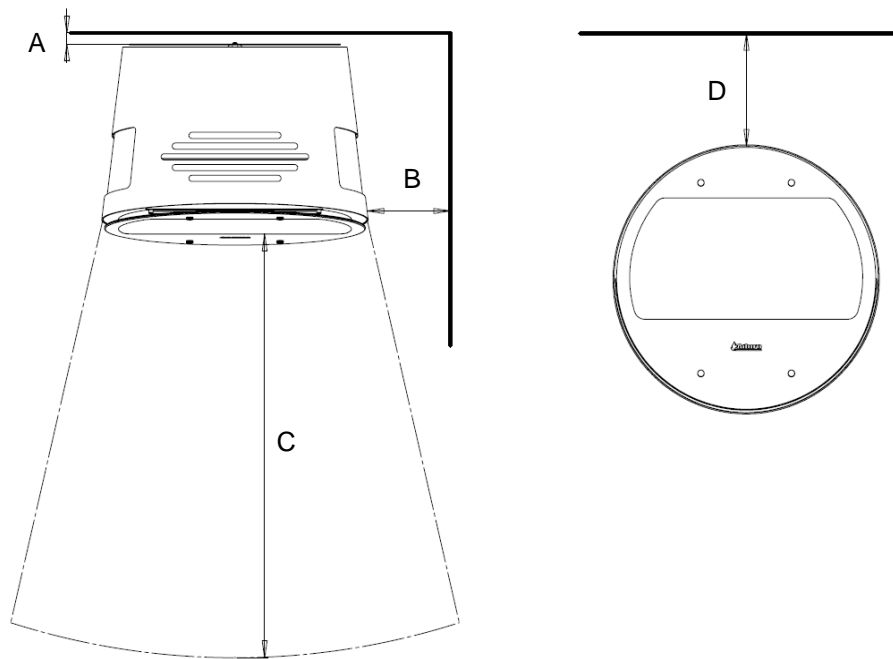
2. Montage des Ofens

Sie dürfen gern selbst Ihren Ofen montieren. Aduro Bio-Öfen sind einfach zu montieren, und ein Schornstein ist nicht erforderlich. Sie können den Ofen sowohl drinnen als auch draußen verwenden. Beachten Sie jedoch, dass der Ofen nicht rostgeschützt ist und daher bei Kälte nach drinnen gebracht werden muss. Wird der Ofen draußen gelagert, kann es zu Korrosion kommen.

2.1 Positionierung des Ofens / Abstandsvorschriften

Wenn der Ofen in der Nähe von brennbaren Materialien platziert wird, gelten Abstandsvorschriften. Nutzen Sie dazu die Diagramme und Abbildungen nachfolgend:

Abstand zum brennbaren Material	Aufgestellt auf Fuß/Beinen	An der Wand montiert
Hinter dem Ofen (A)	2 cm	-
Seitlich (B)	15 cm	15 cm
Vor dem Ofen (C)	75 cm	75 cm
Über dem Ofen (D)	20 cm	20 cm



Wenn der Ofen an der Wand montiert wird, darf er nur an einer nicht brennbaren Wand angebracht werden. Wird der Ofen auf den Metallfuß gestellt, muss er auf einem nicht brennbaren Material platziert werden. Befindet sich der Ofen an einer Ziegelwand oder einem anderen nicht brennbaren Material, gelten keine Mindestabstandsanforderungen.

Der Ofen muss auf einem Boden/Wand/Material mit ausreichender Tragfähigkeit installiert werden. Stellen Sie sicher, dass der Ofen sowohl horizontal als auch vertikal waage- bzw. senkrecht installiert ist. Platzieren Sie den Ofen nicht in einem Raum mit dauerhaft hoher Luftfeuchtigkeit. Der Raum muss gut belüftet sein und sollte ein Mindestvolumen von 80 m³ haben.

2.2 Montagemöglichkeiten

Die Aduro Bioethanol Öfen können auf Holzbeinen, einem Metallfuß oder an der Wand montiert werden. Anleitungen hierfür finden Sie am Ende der Bedienungsanleitung.

2.3 Wandmontierter Ofen

Soll der Ofen an der Wand montiert werden, muss diese nichtbrennbar sein. Der Wandbeschlag muss solide an die Wand montiert werden, bevor der Ofen darauf aufgehängt wird (die Anleitung hierfür finden Sie am Ende der Bedienungsanleitung). Ihr Bauartikel-Lieferant kann Ihnen bei Fragen betreffend geeigneter Befestigungsmaterialien für den Ofen/die Wand vor der Montage behilflich sein. **BENUTZEN SIE NUR BEFESTIGUNGSMATERIALIEN, DIE NICHT SCHMELZEN KÖNNEN.**



Die Unterkante des Ofens muss mindestens 15 cm über dem Boden liegen.

3. Heizen im Ofen

Wichtige Warn- und Sicherheitshinweise

- Zünden Sie den Ofen niemals an, wenn er über das "MAX"-Brennstoffzeichen hinaus befüllt ist.
- Der Ofen wird während des Betriebs heiß und sollte daher mit der nötigen Vorsicht behandelt werden.
- Lagern Sie Bioethanol und andere leicht brennbare Flüssigkeiten nicht in der Nähe des Ofens.
- Der Raum muss gut belüftet, zugfrei und mindestens 80 m³ groß sein.
- Stellen oder legen Sie während des Betriebs niemals Gegenstände auf den Ofen.
- Decken Sie keine Lüftungsgitter an der Vorder- oder Rückseite des Ofens ab.
- Platzieren Sie keine keramischen Dekorationshölzer, Steine oder andere Gegenstände im Ofen.
- Lassen Sie den Ofen niemals unbeaufsichtigt, wenn er in Betrieb ist.
- Halten Sie Kinder und Haustiere in sicherem Abstand.
- Die Verwendung mehrerer Öfen ist nur zulässig, wenn die Leistung insgesamt 4,5 kW/h oder weniger beträgt. Eine zusätzliche Belüftung des Raumes wäre dann erforderlich.
- Der Ofen ist nicht für den Dauerbetrieb geeignet.

3.1 Befüllung

Vor dem Befüllen des Ofens muss der Brenner abgekühlt sein. Der Brenner darf erst dann aus dem Ofen entfernt werden, wenn die Temperatur unter 40 Grad Celsius liegt, was durch den blauen Bereich des Temperaturindikators angezeigt wird. Wenn der Ofen zu heiß ist, befindet sich der Temperaturindikator im roten Bereich, und die Feder blockiert das Anbringen des Aduro-Trichters:

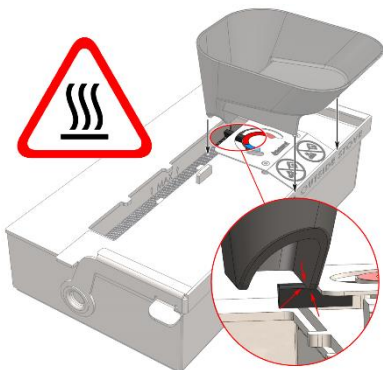


Abbildung 1 – Anbringen des Aduro-Trichters

Verfahren zum Befüllen:

1. Stellen Sie sicher, dass der Ofen ausgeschaltet ist und der Temperaturindikator sich im blauen Bereich befindet.
2. Entfernen Sie den Brenner aus dem Ofen, um ihn mit Bioethanol in einem sicheren Bereich zu befüllen. Je nach Ofentyp folgen Sie den unten aufgeführten Schritten, um den Brenner zu entfernen:

Geltend für Aduro B1:

- Schieben Sie das Frontglas zur Seite. Der integrierte Griff neigt sich nun um 10 Grad nach oben:

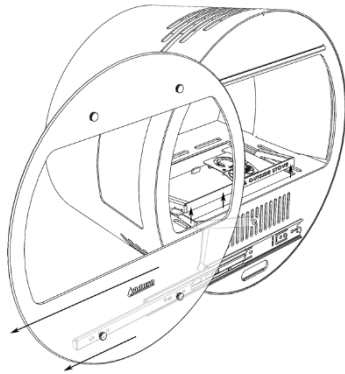


Abbildung 2 – Das Frontglas zur Seite schieben

- Heben Sie den Griff vollständig an, heben Sie den Brenner und entnehmen Sie ihn mit einer Hand aus dem Ofen. Wenn der Griff vollständig angehoben ist, wird die Brenneröffnung automatisch abgedeckt.

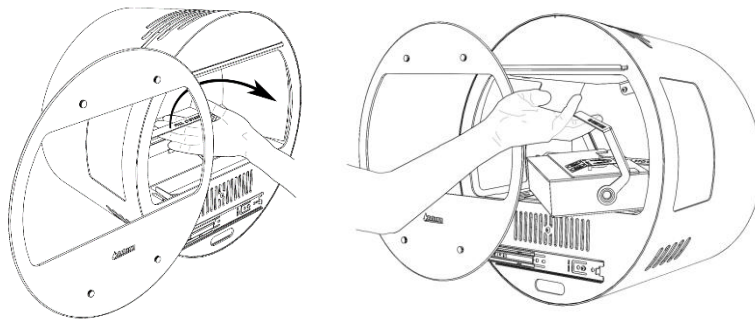


Abbildung 3 – Den Griff anheben und den Brenner herausnehmen

Geltend für Aduro B2:

- Heben Sie den Griff vollständig an, heben Sie den Brenner und entnehmen Sie ihn mit einer Hand aus dem Ofen. Wenn der Griff vollständig angehoben ist, wird die Brenneröffnung automatisch abgedeckt.

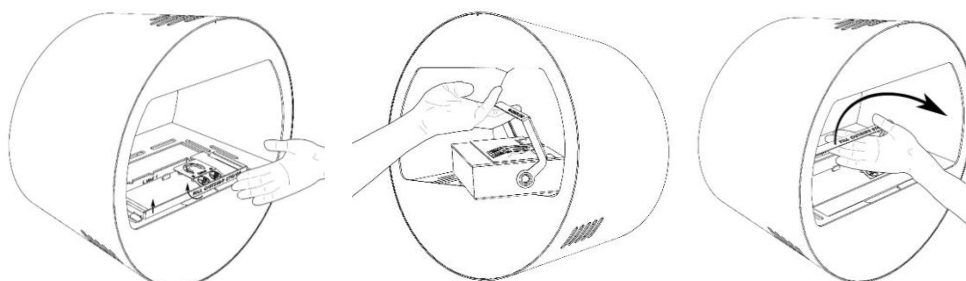


Abbildung 4 – Den Griff anheben und den Brenner herausnehmen

3. Klappen Sie den Brennergriff nach unten und verwenden Sie den Aduro-Griff, um den Schieber zurückzuziehen und den Brenner zu öffnen:

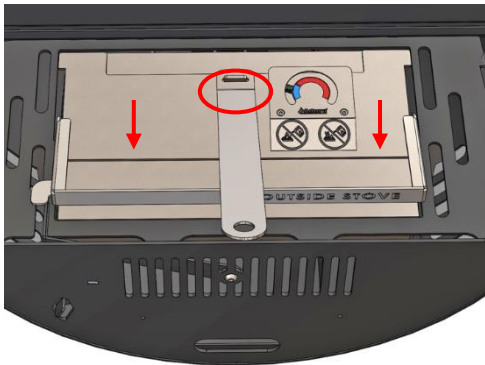


Abbildung 5 - Verwenden Sie den Aduro-Griff zum Öffnen des Brenners

4. Platzieren Sie den Aduro-Trichter wie in Abbildung 1 gezeigt und befüllen Sie ihn gemäß diesen Sicherheitsvorkehrungen mit Bioethanol:
 - Verwenden Sie hochwertiges Bioethanol. Siehe Abschnitt 3.4.
 - Der Ofen hat eine Kraftstoffkapazität von 1,2 Litern. Wir empfehlen jedoch, den Brenner mit 1 Liter Bioethanol zu befüllen. Wenn Sie Flaschen mit mehr als 1 Liter kaufen, empfehlen wir die Verwendung eines Messkruges, um den Ofen zu befüllen, da dieser leichter zu handhaben ist.
 - Füllen Sie Bioethanol in beide Seiten der Brenneröffnung
 - Gießen Sie langsam, um Überfüllung und Verschütten zu vermeiden. Wenn etwas verschüttet wird, reinigen Sie es sofort und zünden Sie den Ofen erst an, wenn der Bereich trocken ist. Siehe Abschnitt 3.1.1.
 - Füllen Sie das Bioethanol nicht über die "MAX"-Markierung hinaus.
5. Entfernen Sie den Aduro-Trichter.
6. Um den Brenner in den Ofen zurückzusetzen, legen Sie eine Hand unter den Brennergriff und heben Sie ihn vollständig an. Der Brenner ist mit Keramikfasern gefüllt, die das Bioethanol wie ein Schwamm absorbieren und verhindern, dass es beim Tragen des Brenners auf den Boden verschüttet wird.
7. Setzen Sie den Brenner in den Ofen und verwenden Sie den Aduro-Griff, um den Schieber zurückzuziehen und den Brenner zu öffnen. Siehe Abbildung 5.
8. Sie können den Ofen jetzt anzünden. Siehe Abschnitt 3.3.



Der Brenner darf nicht überfüllt werden. Der Brennstoff muss vollständig von der Keramik aufgenommen werden. Es ist gefährlich, den Ofen mit zu viel Brennstoff anzuzünden.

3.1.1 Überfüllung des Brenners

Falls der Brenner versehentlich überfüllt wurde, darf er nicht in den Ofen zurückgestellt werden. Befolgen Sie eine der folgenden Anweisungen:

Option 1: Der Brenner ist überfüllt (über dem MAX-Niveau), aber nicht vollständig über den Rand hinaus:

- Verschüttetes Bioethanol kann mit einem saugfähigen Tuch entfernt werden, bis die Fasern im Brenner die gesamte Flüssigkeit wieder aufnehmen können.
- Wischen Sie überschüssigen Brennstoff, der möglicherweise auf die Außenseite des Brenners getropft ist, ab und lassen Sie verbleibenden Brennstoff verdampfen.

- Lassen Sie den Brenner 1 Stunde stehen.
- Sie können den Brenner jetzt in den Ofen zurückstellen.

Option 2: Der Brenner ist überfüllt (über dem MAX-Niveau) und das Bioethanol fließt außerhalb des Brenners:

- Gießen Sie den überschüssigen Brennstoff in einen geeigneten Behälter.
- Wischen Sie überschüssigen Brennstoff, der möglicherweise auf die Außenseite des Brenners während des Entleerens getropft ist, ab und lassen Sie verbleibenden Brennstoff verdampfen.
- Lassen Sie den Brenner 1 Stunde stehen.
- Sie können den Brenner jetzt in den Ofen zurückstellen.

3.2. Erste Inbetriebnahme

Bei den ersten Benutzungen des Ofens kann es zu unangenehmen Gerüchen kommen, was völlig normal ist. Das liegt daran, dass die hitzebeständige Farbe aushärtet. Achten Sie darauf, dass der Ofen in einem gut belüfteten Raum steht und dass während dieser Zeit eine ausreichende Belüftung gewährleistet ist.

Es ist auch wichtig, die ersten 2-3 Male vorsichtig zu brennen, damit sich der Stahl langsam ausdehnen kann.



Bei den ersten Zündungen sollten NUR 700 ml Bioethanol in den Brenner gefüllt werden. Danach kann der Ofen mit den empfohlenen 1.000 ml betrieben werden.

Bei Überhitzung des Ofens und Verbrennung von mehr als der empfohlenen Menge Bioethanol besteht die Gefahr einer Verfärbung des Ofens. Diese Verfärbung kann nicht überstrichen werden.

Beachten Sie bitte auch, dass der Ofen beim Aufheizen und Abkühlen „klickende“ Geräusche machen kann, ähnlich dem Geräusch von kochendem Wasser, das in ein Waschbecken gegossen wird. Diese Geräusche entstehen durch die großen Temperaturunterschiede, denen das Material ausgesetzt ist.

3.3 Anzünden des Ofens

Bevor Sie den Ofen anzünden, stellen Sie sicher, dass kein Bioethanol in die äußere Schale des Brenners verschüttet wurde (sehen Sie durch das Loch an der Vorderseite des Ofens oder durch die Löcher neben dem Brenner) und entfernen Sie eventuellen verschütteten Kraftstoff. Siehe Abschnitt 3.1.1.

Stellen Sie sicher, dass der Brenner kalt ist und dass die Klappe für den Brennbereich vollständig geöffnet ist. Wenn Sie den Ofen erneut anzünden, stellen Sie sicher, dass die Temperatur unter 40 Grad Celsius liegt, also dass der Temperaturanzeiger im blauen Bereich liegt.

Verwenden Sie den Aduro-Griff, um die Brenneröffnung zu öffnen und zu schließen und Verletzungen zu vermeiden. Siehe die untenstehende Abbildung zur Verwendung.



Verwenden Sie immer ein langes Feuerzeug, um den Ofen anzuzünden, damit Ihre Hände nicht direkt über dem Brennbereich sind. Zünden Sie die Fasern im Brenner an.

Die Flammengröße ist nicht regulierbar. Die volle Flamme erscheint innerhalb von 10-15 Minuten nach dem Anzünden.



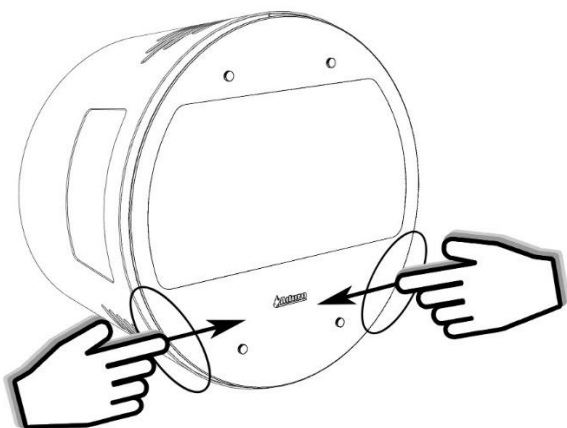
Halten Sie einen Mindestabstand von 1 Meter zum Ofen ein, wenn dieser in Betrieb ist.

Um den Ofen auszuschalten, schließen Sie die Klappe vollständig und stellen Sie sicher, dass die Flamme erlischt. Siehe die untenstehende Abbildung. Lassen Sie die Klappe für mindestens 3 Minuten geschlossen. Dies gibt der Flamme im Inneren des Brenners genügend Zeit, vollständig zu erlöschen. Stellen Sie immer sicher, dass der Ofen ausgeschaltet und die Klappe geschlossen ist, bevor Sie den Raum verlassen.



Geltend für Aduro B1:

Der Aduro B1 verfügt über eine Keramikglastür an der Vorderseite, die während des Betriebs warm wird. Öffnen und schließen Sie die Tür wie unten gezeigt:



3.4 Notabschaltung

Legen Sie im Brandfall eine Löschdecke über den Brenner und lassen Sie sie für mindestens 30 Sekunden darauf liegen. Steht keine Löschdecke zur Verfügung, kann ein normales, mit Wasser getränktes Handtuch verwendet werden.

3.5 Empfohlener Brennstoff

Verwenden Sie nur Bioethanol mit der Kennzeichnung UN:1170, das für Bioethanol Brenner empfohlen wird. Wir empfehlen die Verwendung von 93-96,5% Bioethanol. Bitte beachten Sie, dass es auf dem Markt Produkte gibt, die Öl und Petroleum enthalten. Diese können NICHT in Aduro Bioethanol Öfen verwendet werden.

Bioethanol ist ein Gefahrgut nach UN1987, Klasse 3, hochentzündlich und muss mit Vorsicht gehandhabt werden. Bioethanol muss an einem sicheren Ort, fern von Feuer und außerhalb der Reichweite von Kindern und Haustieren gelagert werden.

4. Reinigung und Wartung

Aduro Bioethanol Öfen benötigen nur wenig Reinigung oder Wartung. Es gibt jedoch einige Dinge, die regelmäßig überprüft werden sollten.



Alle Wartungsarbeiten am Ofen dürfen nur im kalten Zustand erfolgen.

Der Brenner

Überprüfen Sie den Brenner regelmäßig auf Anzeichen von Verformungen oder Undichtigkeiten. Stellen Sie sicher, dass der Brenner leer ist, bevor Sie ihn reinigen. Reinigen Sie den Brenner nicht mit Wasser und geben Sie ihn nicht in die Spülmaschine.

Der Brenner kann sich im Laufe der Zeit verfärben. Dies ist eine natürliche Reaktion auf die hohe Hitzeentwicklung. Verwenden Sie einen zugelassenen Edelstahlreiniger, um die Verfärbung zu entfernen, und reiben Sie immer in Richtung der „Körnung“ des Stahls. Sie können auch [den Aduro Easy Clean Reinigungsschwamm](#) verwenden.

Stellen Sie nach der Reinigung sicher, dass der Brenner trocken ist, bevor Sie den Ofen wieder anzünden.

Die Bimetallfeder

Kontrollieren Sie regelmäßig, ob die Bimetallfeder einwandfrei funktioniert und ob sich der Pfeil/Temperaturanzeiger noch im roten Bereich befindet, wenn der Ofen so heiß ist, dass Sie Ihre Hand nicht mehr in den Bereich der Flammenöffnung halten können (Temperatur über 40 Grad Celsius).

Die Oberfläche des Ofens

Überprüfen Sie den Ofen regelmäßig auf Anzeichen von Verformungen oder Undichtigkeiten.

Die Oberfläche des Ofens ist pulverbeschichtet, was eine glatte und gleichmäßige Oberfläche ergibt. Die Pulverbeschichtung schützt vor Abnutzung und Stoßschäden, verlängert die Lebensdauer des Ofens und reduziert den Wartungsbedarf. Beachten Sie jedoch, dass sich die Pulverbeschichtung im Laufe der Zeit verfärben kann, wenn der Ofen ohne Schutz direktem Sonnenlicht ausgesetzt ist.

Rückstände aus der Verbrennung von Bioethanol können sich auf der Oberfläche des Ofens ablagern, lassen sich jedoch leicht mit einem nicht kratzenden Reinigungsschwamm und etwas Spülmittel entfernen.

Stellen Sie immer sicher, dass der Bioethanol Ofen nach der Reinigung trocken ist, bevor Sie ihn anzünden.



Verwenden Sie niemals Chemikalien, Stahlwolle oder Scheuermittel, da diese die Oberfläche zerkratzen können.

Glasscheibe

Verwenden Sie den [Aduro Easy Clean](#) oder [den Aduro Glasreiniger](#), um das Glas zu reinigen.

Ersatzteile und unautorisierte Änderungen

Es dürfen nur originale Ersatzteile für den Bioethanol Ofen benutzt werden. Jede unautorisierte Änderung des Ofens ist verboten, da der Ofen sonst nicht mehr die geprüften Spezifikationen erfüllt. Auf www.aduroshop.de können Sie originale Ersatzteile für Ihren Bioethanol Ofen kaufen.

5. Reklamationsrecht

Das Reklamationsrecht gilt gemäß dem Kaufgesetz des Landes, in dem der Ofen gekauft wurde. Der Kaufbeleg muss als Dokumentation bei einer Reklamation vorgelegt werden.

Das Reklamationsrecht gilt nicht bei:

- Schäden, die infolge unkorrekter Bedienung des Ofens, eines unsachgemäßen Anschlusses oder aufgrund der Einwirkung physischer Gewalt entstanden sind.
- Losteile und Verschleißteile (Frontscheibe, Seitenscheibe, Schienen, Trichter, Dichtung usw.) Diese Teile können später ausgetauscht werden und als Ersatzteile in unserem Ersatzteilshop www.aduroshop.de gekauft werden.
- Schäden am Ofen, die durch äußeren Einfluss entstanden sind oder Schäden, verursacht durch andere Gegenstände.

Lesen Sie mehr auf www.adurofire.de/garantie/

6. Entsorgung des Bioethanol Ofens

Wenn Sie Ihren Bioethanol Ofen entsorgen, muss Metall, Brenner und keramisches Glas getrennt sortiert werden. Entsorgen Sie die Materialien nach den Regelungen der Recyclingsanlage vor Ort.

Félicitations pour l'acquisition de votre nouveau poêle Aduro !

Pour profiter au mieux de votre nouveau poêle bioéthanol Aduro, il est important de lire attentivement le mode d'emploi avant d'installer le poêle et de commencer à l'utiliser. Des erreurs ou des réglages incorrects peuvent entraîner des conditions dangereuses et/ou un mauvais fonctionnement. Conservez le mode d'emploi dans un endroit sûr pour pouvoir vous y référer ultérieurement.

Pour plus d'informations, rendez-vous sur www.aduro.fr.

Numéro de production

Le poêle bioéthanol porte un numéro de production sur la plaque signalétique située sous le poêle. Pour les besoins de la garantie et pour toute autre question, il est important que vous puissiez nous indiquer ce numéro.

1. Généralités

1.1 Conformité

Tous les poêles bioéthanol Aduro sont conformes à la norme européenne EN16647:2015 et sont donc approuvés pour l'installation et l'utilisation en Europe. La production est aussi soumise à un contrôle de qualité externe.

1.2 Avertissements & précautions de sécurité

N'oubliez pas que la sécurité est notre priorité et que le poêle doit donc être utilisé avec soin et respect. N'utilisez pas le poêle avant d'avoir lu les avertissements suivants :

- Examinez la législation locale avant d'utiliser le poêle.
- Ne jamais modifier la construction du brûleur à bioéthanol.
- Placez toujours le poêle bioéthanol dans une pièce bien ventilée et à l'abri des courants d'air. La pièce doit avoir un minimum de 80 m³.
- Le bioéthanol est une matière dangereuse avec le niveau de danger 3 selon la norme UN1987.
- Le bioéthanol est extrêmement inflammable et doit être manipulé avec précaution.
- Ne placez jamais rien sur le dessus du poêle.
- Ne déplacez jamais le poêle lorsqu'il est en cours d'utilisation.
- Ne laissez jamais le poêle sans surveillance et gardez les enfants et les animaux domestiques à une distance de sécurité.
- Les surfaces extérieures et les matériaux situés à proximité du brûleur deviennent chauds lorsque celui-ci est utilisé.
- N'utilisez que du bioéthanol destiné aux poêles bioéthanol. Nous recommandons d'utiliser celui à 93-96,5 %.
- Le bioéthanol doit être rangé dans un endroit sûr, à l'abri du feu et hors de portée des enfants et des animaux domestiques.
- Tout poêle comportant des flammes nues ou utilisant des liquides inflammables présente un risque de brûlures ou de blessures.

- Le brûleur ne doit jamais être surchargé de bioéthanol. Le bioéthanol doit être complètement absorbé par la céramique du brûleur et ne doit jamais dépasser les flèches qui indiquent le niveau maximum de carburant. L'allumage d'un brûleur trop plein est dangereux.
- Retirez le brûleur du poêle lorsqu'il est rempli de bioéthanol. Si le brûleur à bioéthanol est trop rempli ou si du bioéthanol est renversé, l'excès de bioéthanol doit être éliminé avant l'allumage. Le bioéthanol renversé peut être enlevé à l'aide d'un chiffon absorbant avant l'allumage.
- Évitez tout contact physique avec le bioéthanol.



Ne versez jamais de combustible dans un poêle chaud ou en feu.



Ne placez pas le poêle à proximité de matériaux combustibles.



Utilisez-le uniquement dans un environnement à l'abri des courants d'air.



Il est interdit de fumer.



Maintenez les animaux domestiques et les enfants à une distance de sécurité.



Ne déplacez jamais le poêle lorsqu'il est en fonctionnement.



Ne (ré)allumez jamais un poêle chaud.



Ne remplissez jamais trop le poêle.



Une couverture anti-feu est recommandée.



Il est recommandé de se munir d'un extincteur.



N'utilisez le carburant que conformément au mode d'emploi.



Pour un usage décoratif et domestique uniquement.



Utilisez-le uniquement dans une pièce.

Aduro A/S décline toute responsabilité en cas de dommages directs ou indirects envers toute personne, animal ou objet en raison d'un non-respect des dispositions du mode d'emploi concernant l'installation, l'utilisation et la maintenance de l'appareil.

La responsabilité d'une utilisation inappropriée du produit est entièrement portée par l'utilisateur et décharge le fabricant de toute responsabilité civile et criminelle. Les altérations du produit ou le remplacement non autorisé avec des pièces détachées qui ne sont pas d'origine peuvent être dangereux pour la sécurité de l'utilisateur et décharge le fabricant de toute responsabilité civile et criminelle.

1.3 Données techniques

Poêles Bioéthanol Aduro	
Capacité, brûleur	1,2 L (nous recommandons 1 L)
Poids, poêle	26 kg
Temps de combustion	3-4 heures
Puissance	1,8-3 kW/h
Type de contrôle du brûleur	Manuel
Matériau, poêle	Acier peint par poudrage noir / Verre céramique de 4 mm (Aduro B1)
Matériau, brûleur	Acier inoxydable brossé
Carburant	Bioéthanol (UN:1170, 93-96,5 %)
Dimensions (ØxHxP)*	48 x 47,65 x 35,05 cm

*Voir les illustrations sur aduro.fr

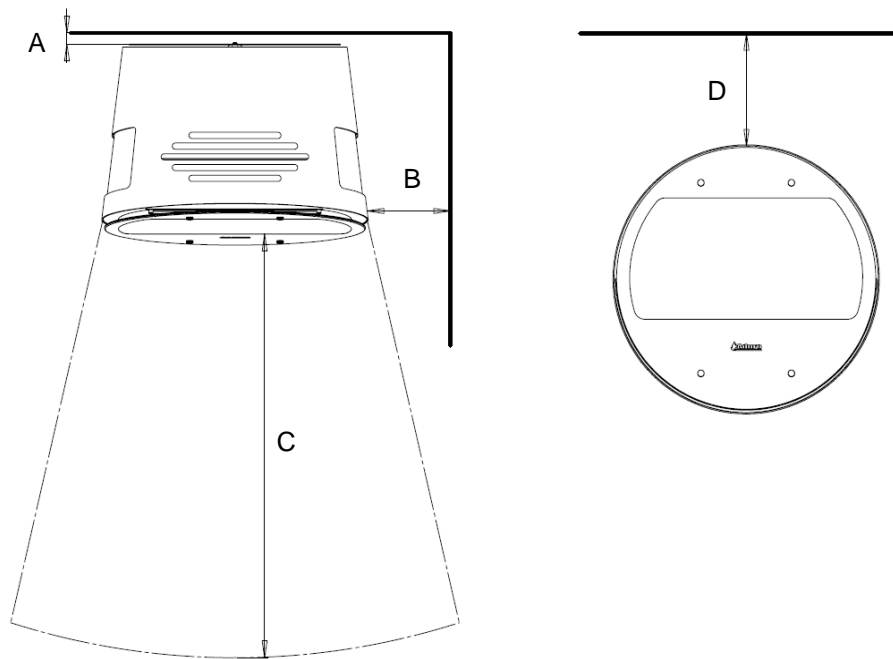
2. Installation du poêle

Vous pouvez installer le poêle vous-même. Les poêles bioéthanol Aduro sont simples à monter et ne nécessitent pas de cheminée. Ils peuvent être utilisés aussi bien en intérieur qu'en extérieur. Cependant, notez que le poêle n'est pas protégé contre la rouille ; il est donc important de le rentrer à l'intérieur une fois refroidi. S'il est laissé en extérieur, il risque de se corroder.

2.1 Position du poêle et exigences en matière de distance

Si le poêle est placé à proximité d'un matériau inflammable, certaines exigences spécifiques en matière de distance peuvent s'appliquer. Voir le tableau et les illustrations ci-dessous :

Distance aux matériaux inflammables	Monté sur pieds/socle	Monté sur support mural
A l'arrière du poêle (A)	2 cm	-
Sur les côtés du poêle (B)	15 cm	15 cm
Devant le poêle (C)	75 cm	75 cm
Au-dessus du poêle (D)	20 cm	20 cm



Si le poêle est fixé au mur, il ne peut l'être que sur un mur non inflammable. Si le poêle est placé sur le pied métallique, il doit également être placé sur un matériau non inflammable. Si le poêle est placé contre un mur de briques ou un autre matériau non inflammable, il n'y a pas de distance minimale à respecter.

Le poêle doit être installé sur un sol/mur/matériau ayant une capacité de charge adéquate. Veillez à ce que le poêle bioéthanol soit installé de niveau, tant horizontalement que verticalement. Ne placez pas le poêle dans une pièce où le taux d'humidité est constamment élevé. La pièce doit être bien ventilée et disposer d'un minimum de 80 m³.

2.2 Options de montage

Les poêles bioéthanol Aduro peuvent être montés sur des pieds en bois, sur un socle en métal ou accrochés au mur. Veuillez trouver les instructions au dos de ce mode d'emploi.

2.3 Poêle mural

Si le poêle doit être fixé au mur, il doit être installé sur un mur non inflammable. Le support mural doit être correctement fixé au mur avant de monter le poêle. (Veuillez trouver les instructions au dos de ce mode d'emploi). Vous pouvez demander plus de renseignements à votre revendeur au sujet des éléments nécessaires à la suspension du poêle (vis, boulons, crochets pour le poêle/mur avant son installation). **N'UTILISEZ QUE DES MATÉRIAUX RÉSISTANTS À LA CHALEUR.**



Veillez noter que le bords inférieur du poêle doit être placé à au moins 15 cm du sol.

3. Chauffage dans le poêle

Données importantes concernant la sécurité

- N'allumez jamais le poêle s'il est rempli au-delà du signe "MAX".
- Le poêle devient chaud pendant son utilisation et doit donc être traité avec toutes les précautions nécessaires.
- Ne gardez pas de bioéthanol ou d'autres liquides facilement inflammables à proximité du poêle.
- La pièce doit être bien ventilée, à l'abri des courants d'air et doit avoir un volume minimum de 80 m³.
- Ne placez rien sur le poêle lorsqu'il est en fonctionnement.
- Ne couvrez pas les grilles de ventilation à l'avant et à l'arrière du poêle.
- Ne placez pas de bûches décoratives en céramique, de pierres ou d'autres objets à l'intérieur du poêle. Les flammes ne doivent pas toucher de matériaux décoratifs.
- Ne laissez jamais le poêle sans surveillance lorsqu'il est utilisé.
- Gardez les enfants et les animaux domestiques à une distance de sécurité.
- L'utilisation de plusieurs poêles n'est autorisée que si leur puissance est égale ou inférieure à 4,5 kW/h. Une ventilation supplémentaire de la pièce est alors nécessaire.
- Le poêle ne convient pas pour un fonctionnement continu.

3.1 Remplissage

Avant de remplir le poêle, le brûleur doit être froid. Le brûleur ne doit pas être retiré du poêle tant que la température n'est pas inférieure à 40 degrés, ce qui signifie que l'indicateur de température doit se trouver dans la zone bleue. Lorsque le poêle est trop chaud, l'indicateur de température se trouve dans la zone rouge et le ressort bloque la fixation de l'entonnoir Aduro :

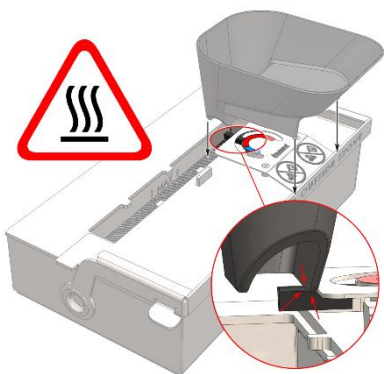


Illustration 1 - Mise en place de l'entonnoir Aduro

Suivez cette procédure lors du remplissage :

1. Assurez-vous que le poêle est éteint et que l'indicateur de température se trouve dans la zone bleue.
2. Retirez le brûleur du poêle pour le remplir de bioéthanol à l'endroit où vous le rangez (dans un endroit sûr). Selon le type de poêle dont vous disposez, suivez les étapes ci-dessous pour retirer le brûleur :

S'applique à l'Aduro B1:

- Faites glisser la vitre avant sur le côté. La poignée intégrée s'incline alors de 10 degrés vers le haut :

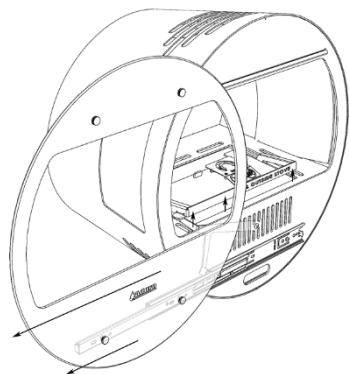


Illustration 2 - Faites glisser la vitre frontale sur le côté

- Relevez complètement la poignée, soulevez le brûleur et retirez-le du poêle d'une seule main, comme indiqué ci-dessous. Lorsque la poignée est entièrement relevée, le loquet du brûleur couvre automatiquement son ouverture.

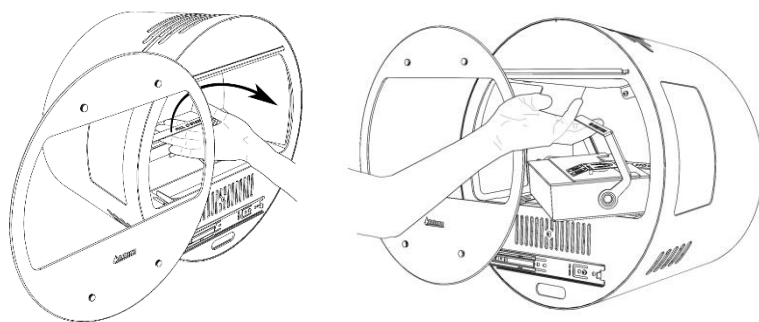


Illustration 3 - Soulevez la poignée et retirez le brûleur

S'applique à l'Aduro B2:

- Relevez complètement la poignée, soulevez le brûleur et retirez-le du poêle d'une seule main, comme indiqué ci-dessous. Lorsque la poignée est entièrement relevée, le loquet du brûleur couvre automatiquement son ouverture.

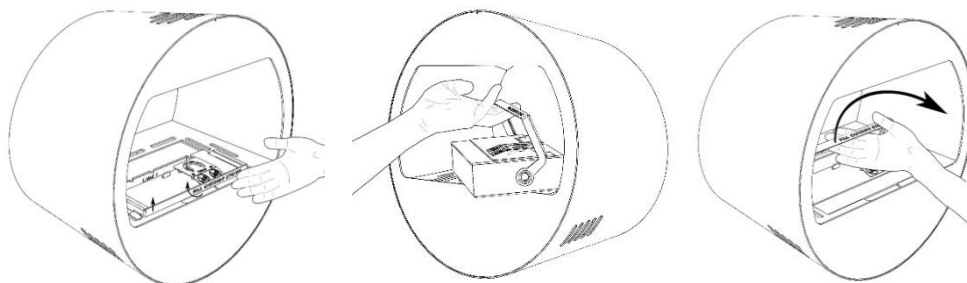


Illustration 4 - Soulevez la poignée et retirez le brûleur

3. Rabattez la poignée du brûleur vers le bas et utilisez la poignée Aduro pour tirer le curseur vers l'arrière afin d'ouvrir le brûleur :

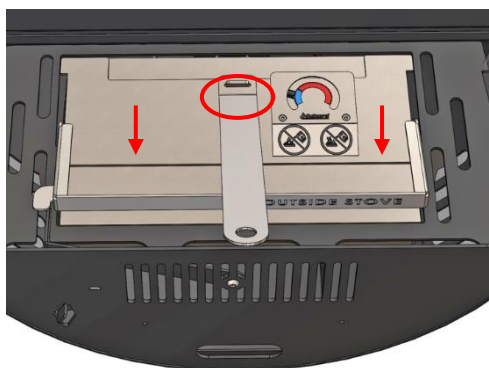


Illustration 5 - Utilisez la poignée Aduro pour ouvrir le brûleur

4. Placez l'entonnoir Aduro comme indiqué dans l'illustration 1 ci-dessus et remplissez-le de bioéthanol conformément à ces instructions de sécurité :
 - Utilisez du bioéthanol de bonne qualité. Voir section 3.4.
 - Le poêle a une capacité de 1,20 litre de combustible. Toutefois, nous vous recommandons de remplir le brûleur avec 1 litre de bioéthanol. Si vous achetez des bouteilles de plus d'un litre, nous vous recommandons d'utiliser un bidon d'un litre pour remplir le poêle, car ils sont plus faciles à manipuler.
 - Versez du bioéthanol des deux côtés de l'ouverture du brûleur.
 - Versez lentement pour éviter les débordements et les éclaboussures. En cas de déversement, nettoyez immédiatement et n'allumez pas le poêle tant que la zone n'est pas sèche. Voir la section 3.1.1.
 - Ne dépassez pas le niveau de carburant MAX avec du bioéthanol.
5. Retirez l'entonnoir Aduro.
6. Pour replacer le brûleur dans le poêle, placez votre main sous la poignée du brûleur et soulevez-le complètement vers le haut. Le brûleur est rempli de fibres céramiques qui absorbent le bioéthanol comme une éponge, l'empêchant ainsi de se répandre sur le sol lorsque vous le transportez.
7. Placez le brûleur dans le poêle et utilisez la poignée Aduro pour tirer le curseur vers l'arrière et ouvrir le brûleur. Voir l'illustration 5 ci-dessus.
8. Vous pouvez maintenant allumer le poêle. Voir le point 3.3.



Ne remplissez jamais trop le brûleur. Le combustible doit être complètement absorbé par la céramique. Il est dangereux d'allumer le poêle avec trop de combustible.

3.1.1 Remplissage excessif du brûleur

Si le brûleur est accidentellement trop rempli, ne le remplacez pas dans le poêle. Suivez l'une des instructions ci-dessous :

Option 1 : Le brûleur est trop rempli (au-dessus du niveau MAX) mais ne dépasse pas complètement le bord du brûleur :

- Le bioéthanol renversé peut être enlevé à l'aide d'un chiffon absorbant jusqu'à ce que les fibres du brûleur puissent absorber à nouveau tout le liquide.
- Essuyez tout excès de carburant qui aurait pu couler sur l'extérieur du brûleur et laissez le carburant restant s'évaporer.
- Laissez le brûleur reposer pendant une heure.
- Vous pouvez à présent replacer le brûleur dans le poêle.

Option 2 : Le brûleur est surchargé (au-dessus du niveau MAX) et le bioéthanol s'écoule à l'extérieur du brûleur :

- Videz l'excédent de carburant dans un récipient approprié.
- Essuyez tout excès de carburant qui aurait pu s'écouler sur l'extérieur du brûleur pendant la vidange et laissez le carburant restant s'évaporer.
- Laissez le brûleur reposer pendant une heure.
- Vous pouvez à présent replacer le brûleur dans le poêle.

3.2. La première fois qu'un feu est allumé

Lors des premières utilisations du poêle bioéthanol, des odeurs désagréables peuvent se dégager du poêle, ce qui est tout à fait normal. Ce phénomène est dû au durcissement de la peinture résistante à la chaleur. Veillez à ce que le poêle soit placé dans une pièce bien aérée et à ce que la ventilation soit suffisante pendant cette période.

Il est également important de tirer prudemment les deux ou trois premières fois pour permettre à l'acier de se dilater lentement.



Lors des premiers allumages, SEULEMENT 700 ml de bioéthanol doivent être versés dans le brûleur. Ensuite, le poêle pourra être utilisé avec la quantité recommandée de 1 000 ml.

Si vous dépassez la quantité de bioéthanol recommandée, la peinture du poêle risque de se décolorer. Il n'est pas possible de la repeindre.

Par ailleurs, notez que le poêle peut émettre des bruits de cliquetis pendant le chauffage et le refroidissement, semblables au bruit de l'eau bouillante que l'on verse dans un évier. Ces bruits sont dus aux grandes différences de température auxquelles le matériau est exposé.

3.3 Allumer le poêle

Avant d'allumer le poêle, vérifiez toujours qu'aucun carburant au bioéthanol ne s'est répandu dans le plateau extérieur du brûleur (regardez par le trou situé à l'avant du poêle ou par les trous situés à côté du brûleur) et enlevez tout carburant répandu. Voir le point 3.1.1.

Assurez-vous que le brûleur est froid et que le verrou de la zone de combustion est complètement ouvert. Lorsque vous rallumez le poêle, assurez-vous que la température est inférieure à 40 degrés C, c'est-à-dire que l'indicateur de température se trouve dans la zone bleue.

Utilisez la poignée Aduro pour ouvrir et fermer l'ouverture du brûleur et pour éviter de vous blesser. Voir l'illustration ci-dessous pour l'utilisation.



Utilisez toujours un long briquet pour allumer le poêle, de sorte que vos mains ne se trouvent pas directement au-dessus de la zone de combustion. Allumez les fibres dans le brûleur.

La taille de la flamme n'est pas réglable. La flamme complète apparaît dans les 10 à 15 minutes suivant l'allumage.



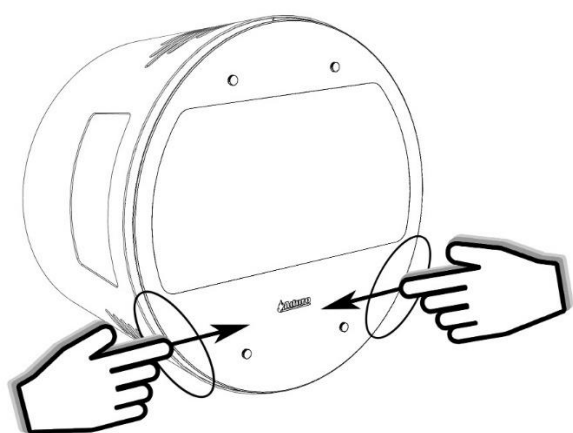
Restez à une distance d'au moins 1 mètre du poêle lorsqu'il est utilisé.

Pour éteindre le poêle, fermez complètement le loquet et assurez-vous que la flamme s'éteint. Voir l'illustration ci-dessous. N'ouvrez pas le loquet pendant les 3 minutes qui suivent sa fermeture. Cela permettra à la flamme à l'intérieur du brûleur de s'éteindre complètement. Assurez-vous toujours que le poêle est éteint et que le loquet est fermé avant de quitter la pièce.



S'applique à l'Aduro B1:

L'Aduro B1 est doté d'une porte en vitrocéramique à l'avant qui se réchauffe pendant l'utilisation. Veuillez ouvrir et fermer la porte comme indiqué ci-dessous :



3.4 Instructions pour l'extinction d'urgence

En cas d'incendie, placez une couverture anti-feu sur le brûleur et laissez-la en place pendant au moins 30 secondes avant de la retirer. Si vous n'avez pas accès à une couverture anti-feu, vous pouvez utiliser une serviette ordinaire imbibée d'eau.

3.5 Types de combustibles recommandés

N'utilisez que du bioéthanol portant l'étiquette UN:1170, qui est recommandée pour les brûleurs à bioéthanol. Nous recommandons l'utilisation de 93 à 96,5 % de bioéthanol. Sachez qu'il existe sur le marché des produits qui contiennent de l'huile et du pétrole. Ils ne peuvent pas être utilisés dans les poêles bioéthanol Aduro.

Le bioéthanol est une matière dangereuse de niveau 3 selon la norme UN1987. Il est hautement inflammable et doit être manipulé avec précaution. Le bioéthanol doit être stocké dans un endroit sûr, à l'abri du feu et hors de portée des enfants et des animaux domestiques.

4. Nettoyage et entretien

Les poêles bioéthanol Aduro ne nécessitent pas beaucoup de nettoyage ou d'entretien. Cependant, il existe quelques points à vérifier régulièrement.



Le nettoyage du poêle doit toujours se faire à froid.

Le brûleur

Vérifiez régulièrement que le brûleur ne présente pas de signes de déformation ou de fuite. Assurez-vous que le brûleur est vide de combustible avant de le nettoyer. Ne nettoyez pas le brûleur avec de l'eau et ne le mettez pas au lave-vaisselle.

Le brûleur peut se décolorer avec le temps. Il s'agit d'une réaction naturelle à la chaleur élevée générée. Elle peut être éliminée à l'aide d'un produit de nettoyage approuvé pour l'acier inoxydable. Il suffit de frotter dans le sens du "grain" de l'acier. Vous pouvez également utiliser l'éponge de nettoyage [Aduro Easy Clean](#).

Assurez-vous toujours que le brûleur est sec après le nettoyage avant d'allumer le poêle.

Le ressort bimétallique

Vérifiez régulièrement que le ressort bimétallique fonctionne correctement et que la flèche/l'indicateur de température se trouve toujours dans la zone rouge lorsque le poêle est si chaud qu'il est impossible de mettre la main dans la zone de l'ouverture de la flamme (la température est supérieure à 40 degrés C).

La surface du poêle

Vérifiez régulièrement que le poêle ne présente aucun signe de déformation ou de fuite.

La surface du poêle bioéthanol est recouverte d'un revêtement en poudre, ce qui donne une surface lisse et uniforme. Le revêtement en poudre protège contre l'usure et les chocs, prolongeant ainsi la durée de vie du poêle bioéthanol et réduisant les besoins d'entretien. Toutefois, il est important de noter que le revêtement en poudre peut changer de couleur au fil du temps si le poêle est exposé à la lumière directe du soleil sans protection.

Les résidus de la combustion du bioéthanol peuvent se déposer sur la surface du poêle, mais ils peuvent être facilement éliminés à l'aide d'un tampon à récurer non abrasif et de liquide vaisselle.

Assurez-vous toujours que le poêle bioéthanol est sec après le nettoyage avant de l'allumer.



N'utilisez jamais de produits chimiques, de paille de fer ou de nettoyeurs abrasifs, car ils risquent de rayer la surface.

Vitres

Utilisez [Aduro Easy Clean](#) ou [Aduro Nettoyant pour vitres](#) pour nettoyer la vitre.

Pièces de rechange et modifications non autorisées

Seules les pièces de rechange d'origine peuvent être utilisées pour le poêle bioéthanol. Toute modification non autorisée du poêle est interdite car elle risque de rendre le poêle non conforme aux spécifications approuvées. Sur www.aduroshop.fr vous pouvez acheter des pièces détachées d'origine pour votre poêle.

5. Droit de réclamation

Le droit de réclamation s'applique conformément à la loi sur les ventes du pays dans lequel l'achat du poêle a été effectué. Le reçu de l'achat original avec la date est valable comme preuve.

A noter que le droit de réclamation ne couvre pas :

- Les dommages causés par une installation non conforme, une mauvaise utilisation du poêle bioéthanol, une surchauffe du foyer, un mauvais entretien du poêle, etc.
- Les éléments et pièces détachées (vitre avant, vitre latérale, rails, entonnoir, joints) qui s'usent avec le temps. Ces produits sont disponibles à l'achat sur notre webshop.
- Les dommages causés au poêle par toutes influences externes, ou les dommages causés par le poêle sur d'autres objets quelconques.

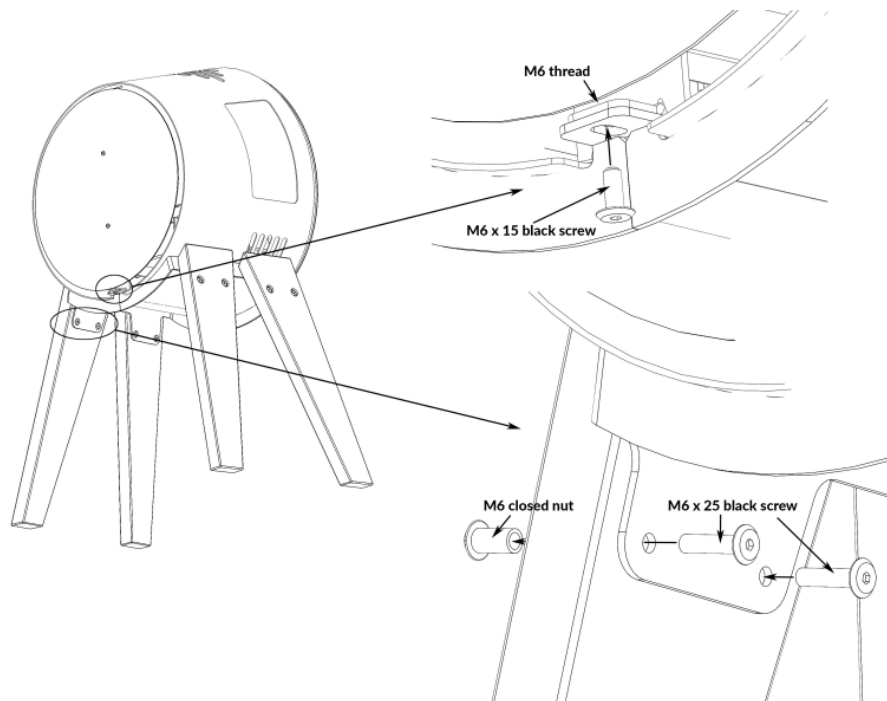
Pour en savoir plus, consultez www.aduro.fr/garantie/.

6. Jeter votre poêle

Lorsque vous souhaitez jeter votre poêle, le métal, le brûleur et le verre doivent être triés séparément. Par la suite, éliminez les matériaux conformément à la réglementation en vigueur dans le centre de recyclage le plus proche.

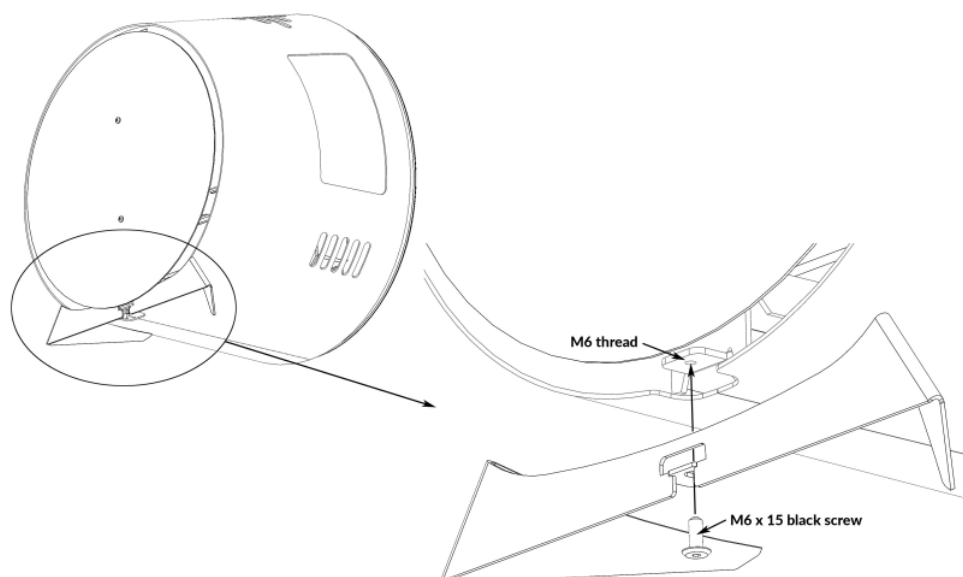
Mounting the stove on wooden legs

1. Assemble the legs by attaching each leg to the frame. Tighten the screws from the inside of the leg and tighten the nuts on the screws from the outside.
2. Place the stove on the legs and secure by tightening the screw.



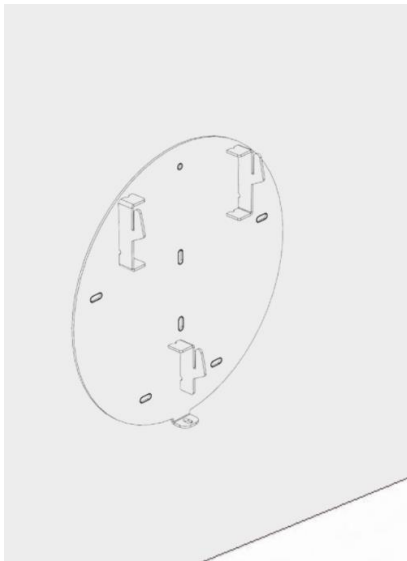
Mounting the stove on metal foot

1. Place the stove on the metal foot.
2. Tighten the screw to secure the stove.

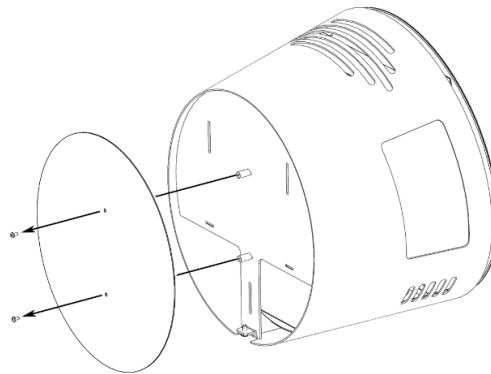


Wall-mounting the stove

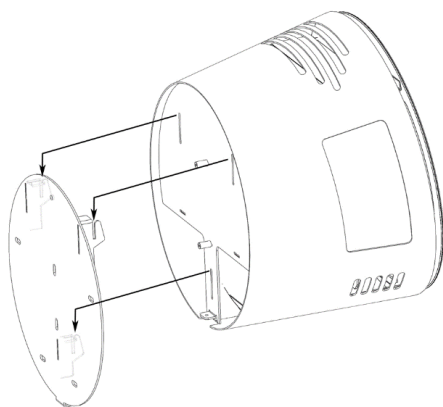
1. Mount the wall bracket to the wall:



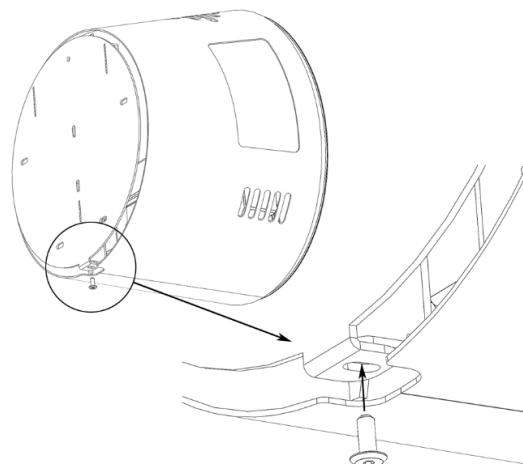
2. Remove the stove's backplate:



3. Attach the stove to the wall bracket:



4. Secure the stove to the wall bracket with the screw under the bottom:



PLEASE NOTE: If the stove is placed close to a wall at the side of the stove, the stove must be mounted with a minimum distance of 300 mm due to the movement of the side glass:

